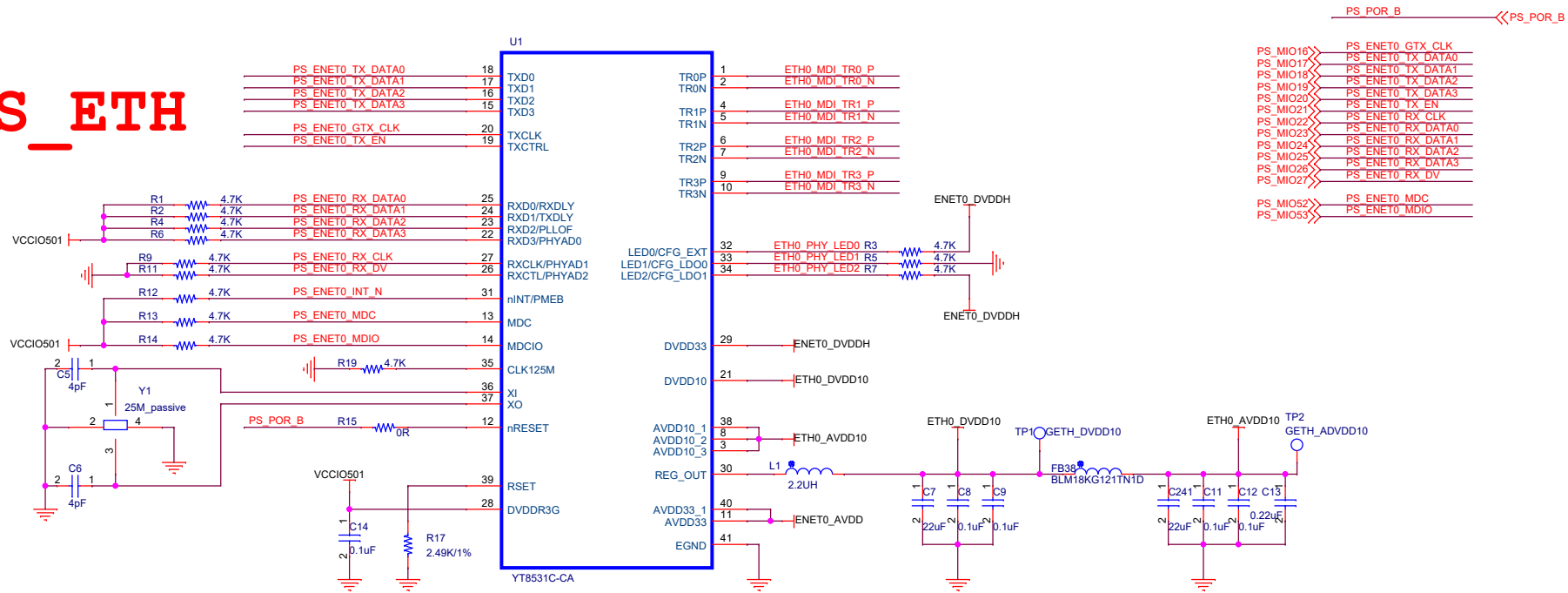
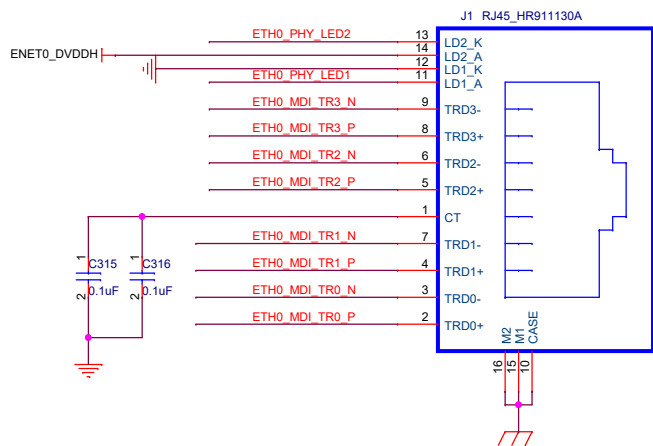
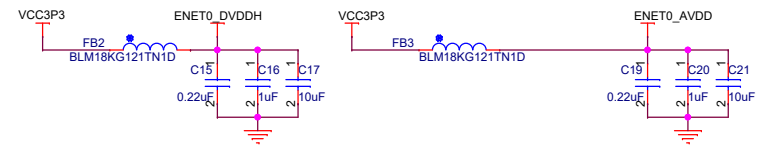


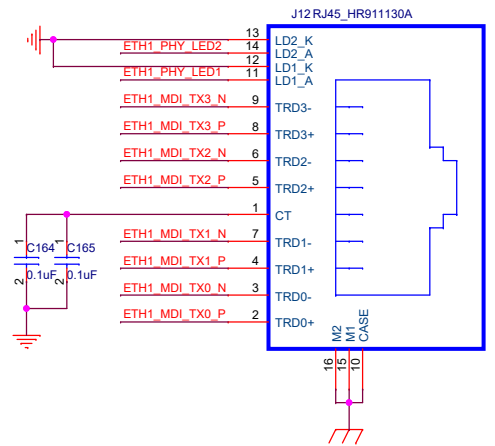
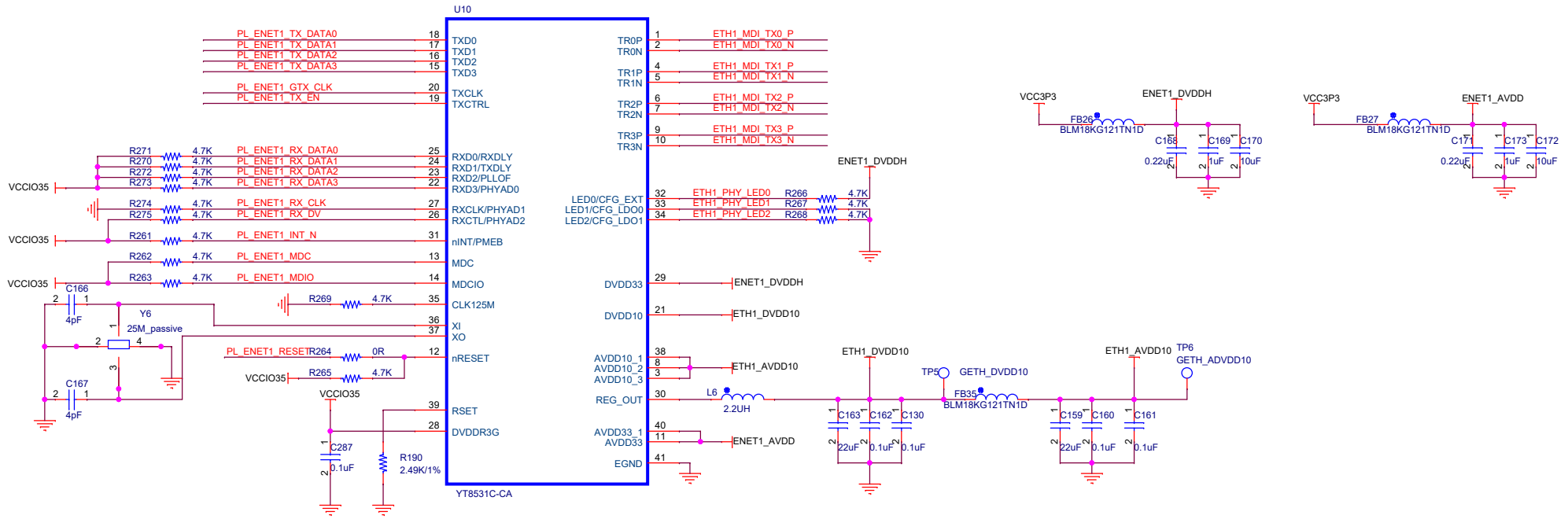
PS_ETH



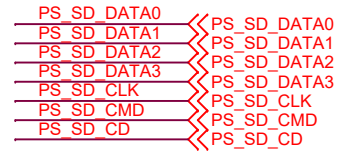
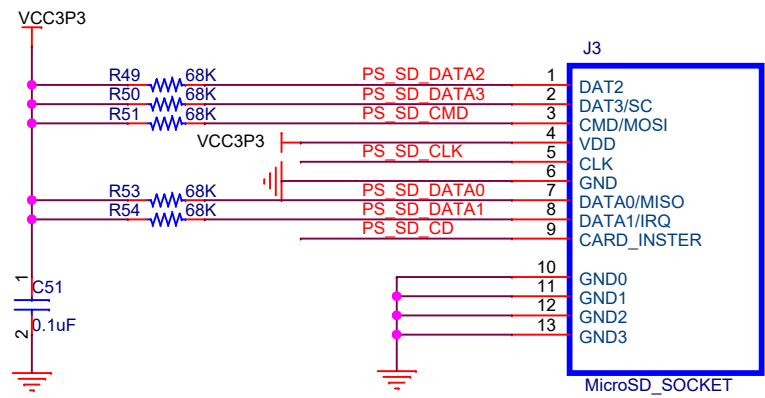
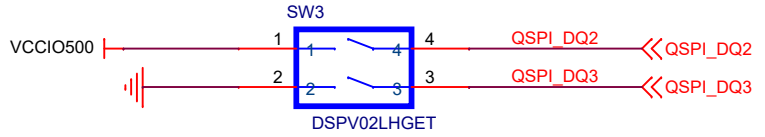
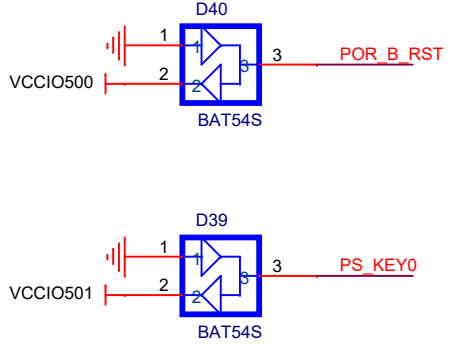
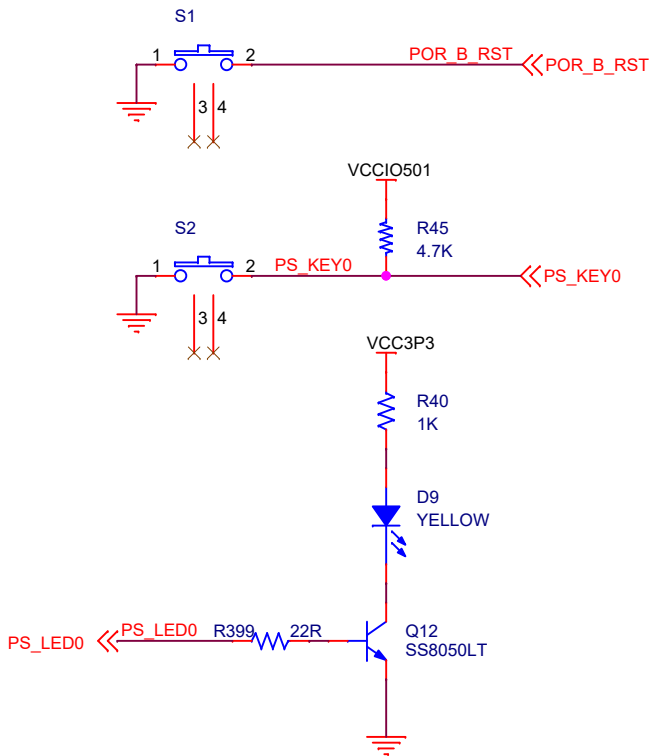
- PS_MIO16 >> PS_ENET0_GTX_CLK
- PS_MIO17 >> PS_ENET0_TX_DATA0
- PS_MIO18 >> PS_ENET0_TX_DATA1
- PS_MIO19 >> PS_ENET0_TX_DATA2
- PS_MIO20 >> PS_ENET0_TX_DATA3
- PS_MIO21 >> PS_ENET0_TX_EN
- PS_MIO22 >> PS_ENET0_RX_CLK
- PS_MIO23 >> PS_ENET0_RX_DATA0
- PS_MIO24 >> PS_ENET0_RX_DATA1
- PS_MIO25 >> PS_ENET0_RX_DATA2
- PS_MIO26 >> PS_ENET0_RX_DATA3
- PS_MIO27 >> PS_ENET0_RX_DV
- PS_MIO52 >> PS_ENET0_MDC
- PS_MIO53 >> PS_ENET0_MDIO

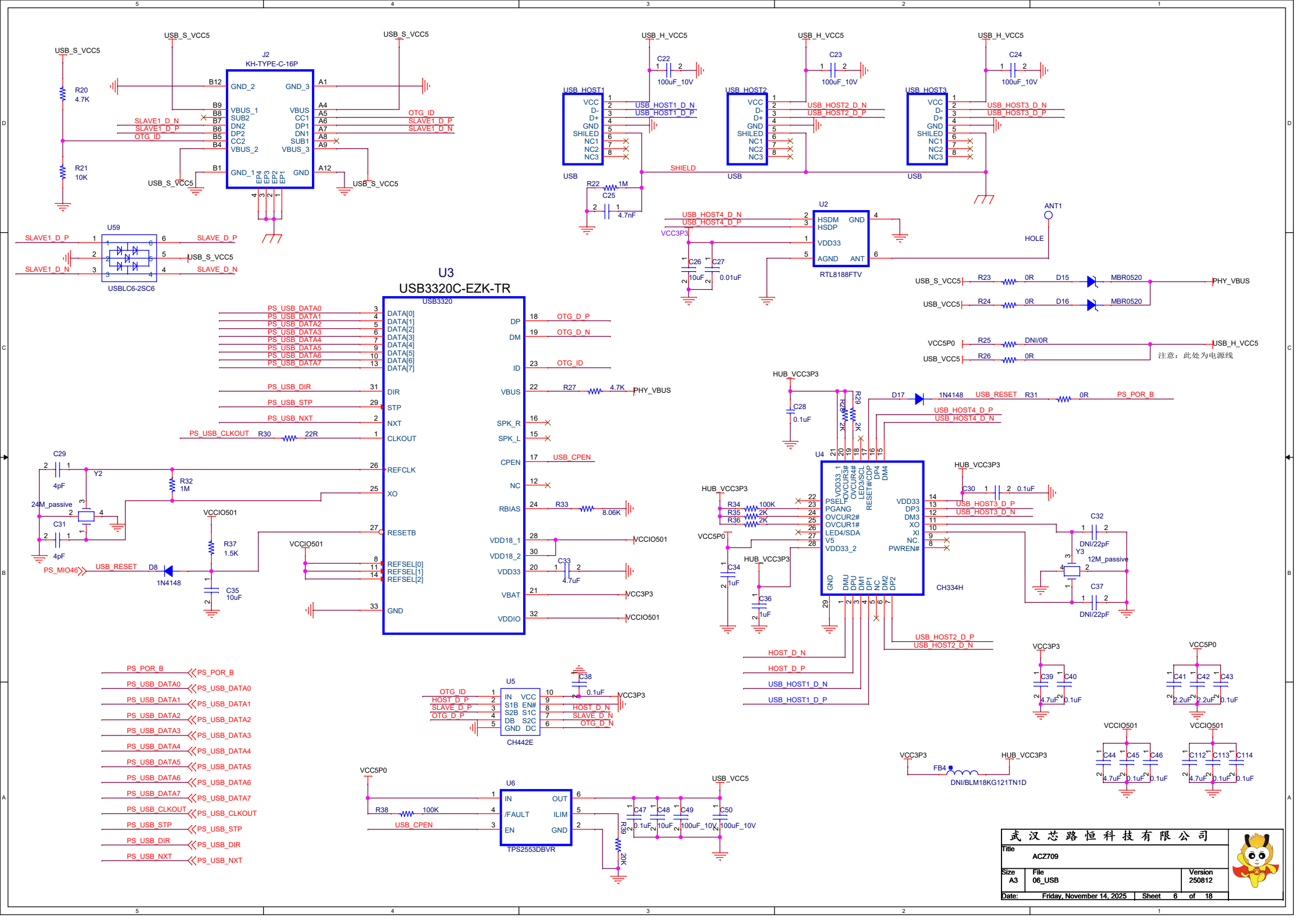


CFG_EXT状态	下拉 4.7K to GND	上拉 4.7K to 3.3V
I/O电压选择	内部选择	外部选择
I/O电压设置	CFG_LDO[1:0] 00: Reserved 01: 2.5V 10: 1.8V 11: 1.5V	CFG_LDO[1:0] 00: 3.3V 01: 2.5V 10: 1.8V 11: 1.5V



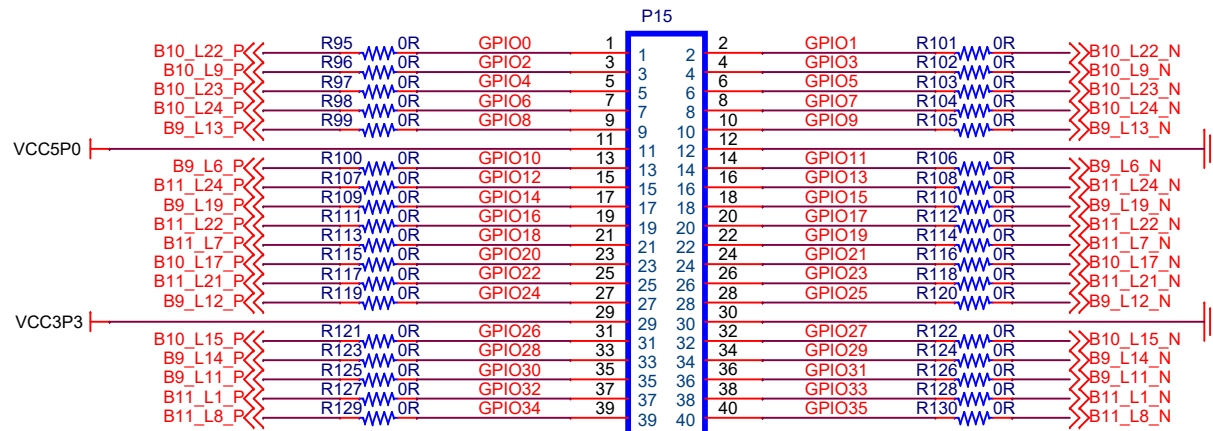
- PL_ENET1_RESET << PL_ENET1_RESET
- PL_ENET1_TX_DATA0 << PL_ENET1_TX_DATA0
- PL_ENET1_TX_DATA1 << PL_ENET1_TX_DATA1
- PL_ENET1_TX_DATA2 << PL_ENET1_TX_DATA2
- PL_ENET1_TX_DATA3 << PL_ENET1_TX_DATA3
- PL_ENET1_GTX_CLK << PL_ENET1_GTX_CLK
- PL_ENET1_TX_EN << PL_ENET1_TX_EN
- PL_ENET1_RX_DATA0 << PL_ENET1_RX_DATA0
- PL_ENET1_RX_DATA1 << PL_ENET1_RX_DATA1
- PL_ENET1_RX_DATA2 << PL_ENET1_RX_DATA2
- PL_ENET1_RX_DATA3 << PL_ENET1_RX_DATA3
- PL_ENET1_RX_CLK << PL_ENET1_RX_CLK
- PL_ENET1_RX_DV << PL_ENET1_RX_DV
- PL_ENET1_MDC << PL_ENET1_MDC
- PL_ENET1_MDIO << PL_ENET1_MDIO





武汉芯路恒科技有限公司		
Title	ACZ709	
Size	File	Version
A3	06_USB	250812
Date:	Friday, November 14, 2025	Sheet 6 of 18

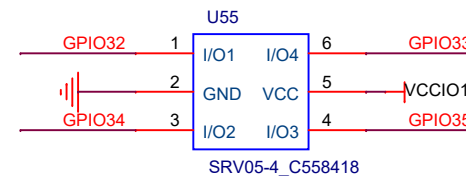
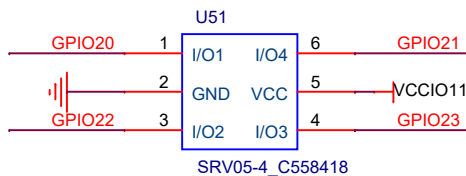
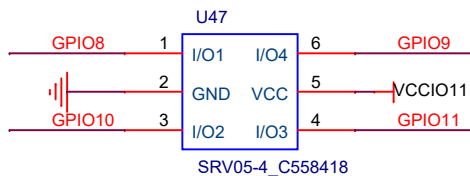
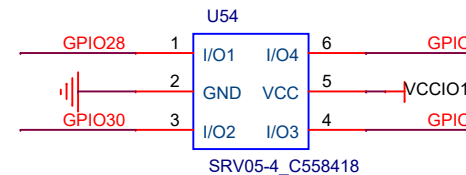
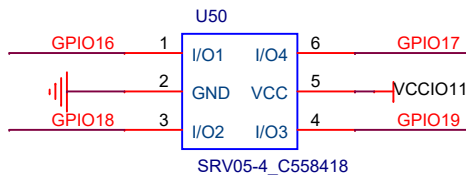
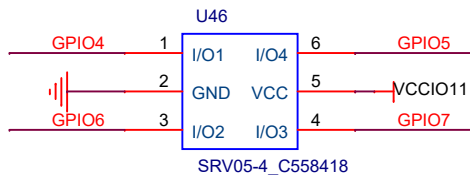
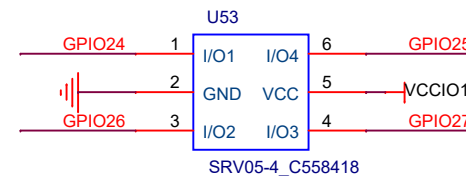
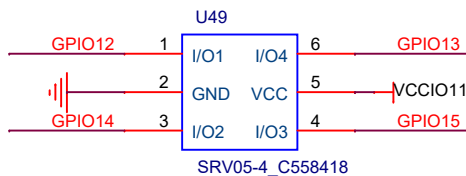
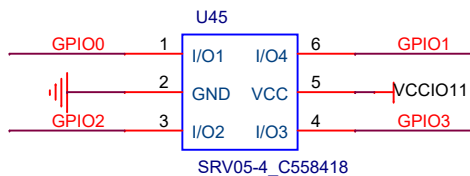


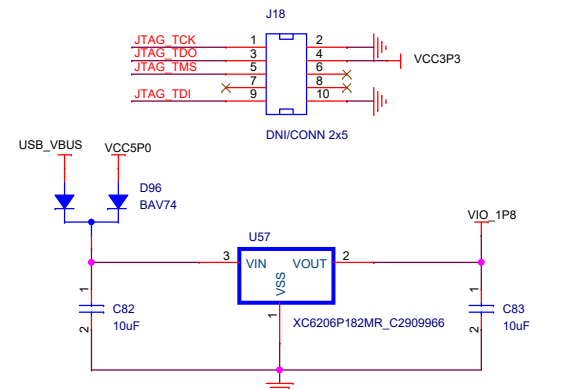
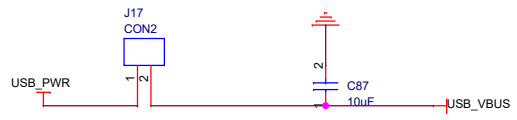
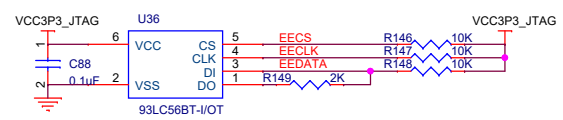
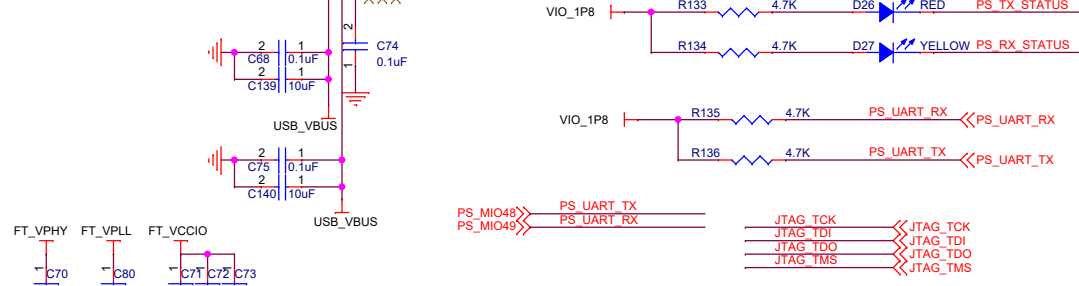
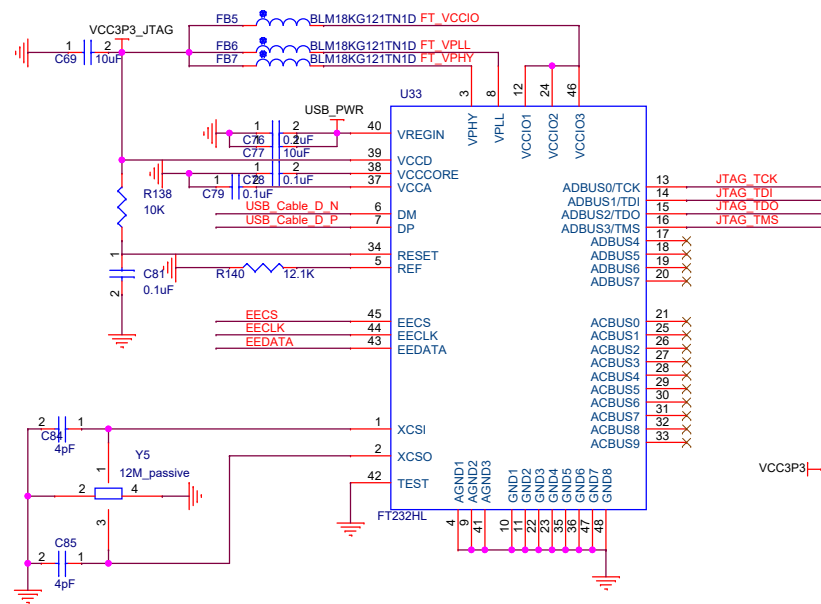
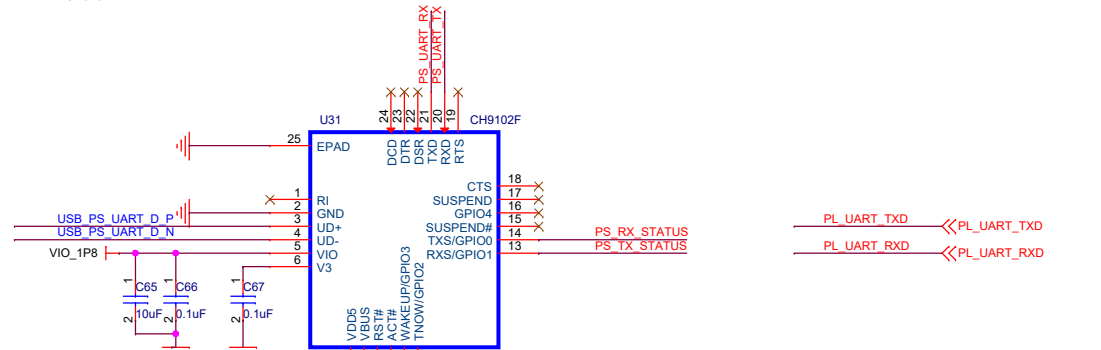
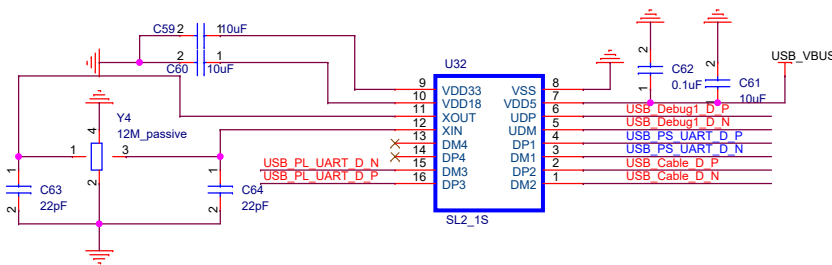
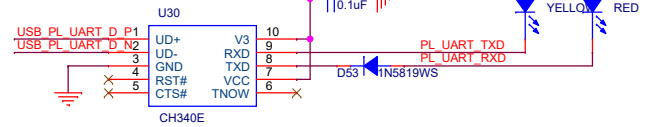
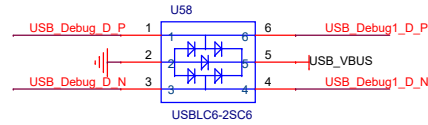
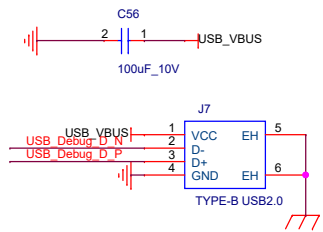


Header 20X2

此接口为通用标准扩展接口，兼容友晶DE2开发板扩展口

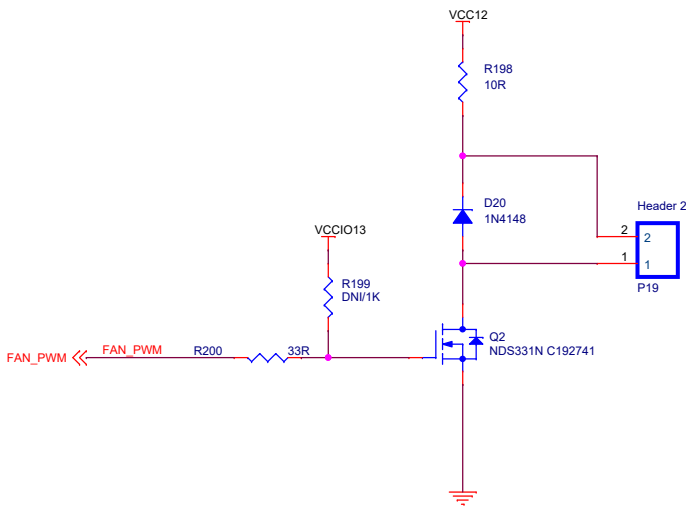
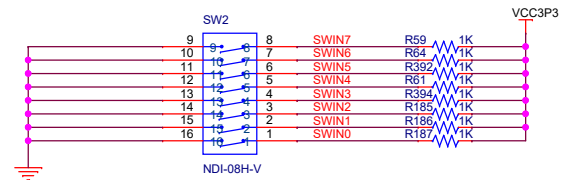
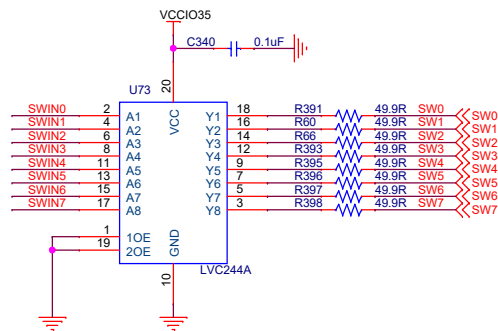
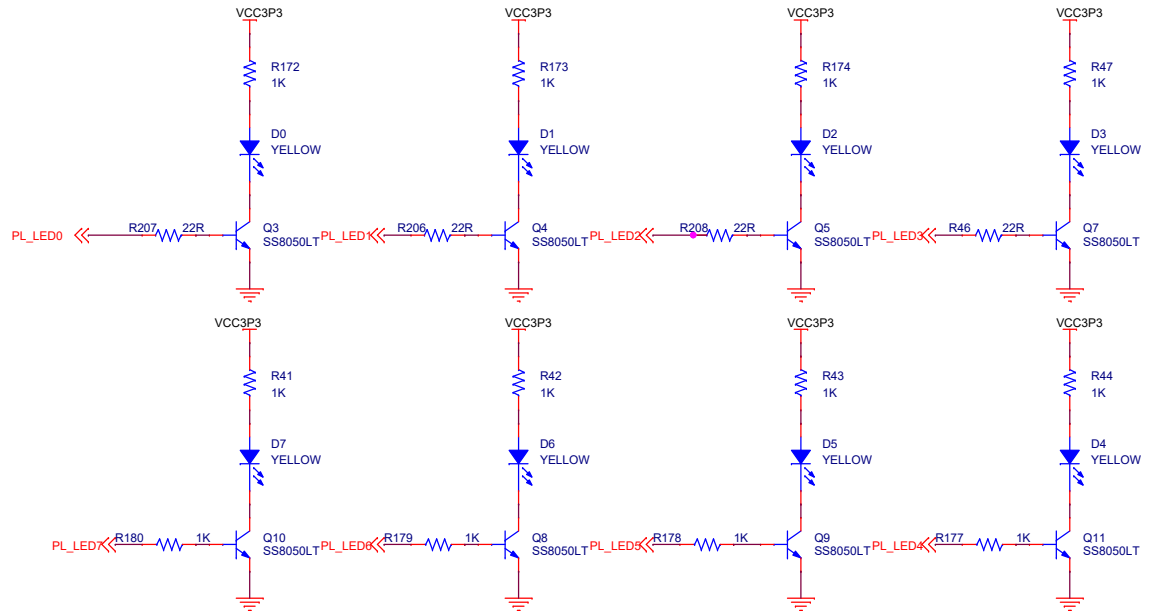
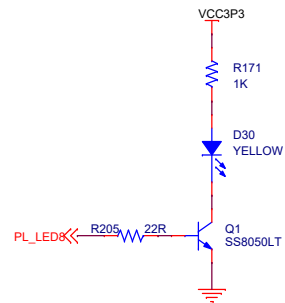
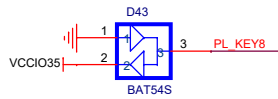
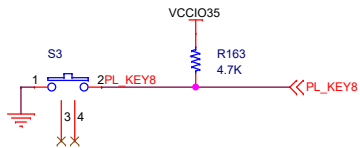
兼容DE2的通用扩展接口

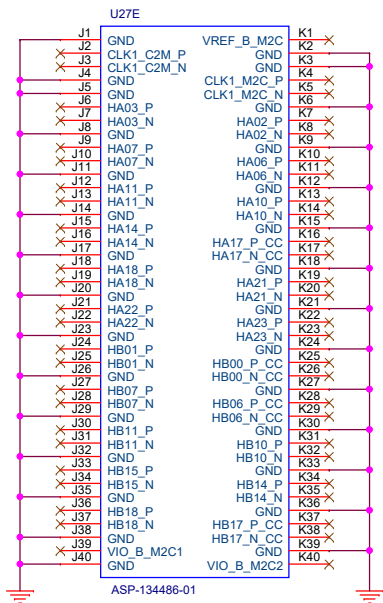
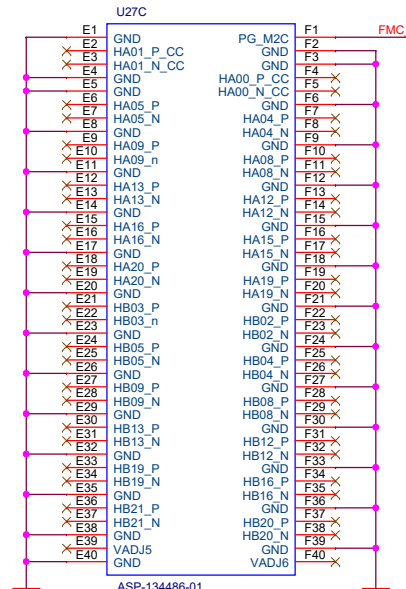
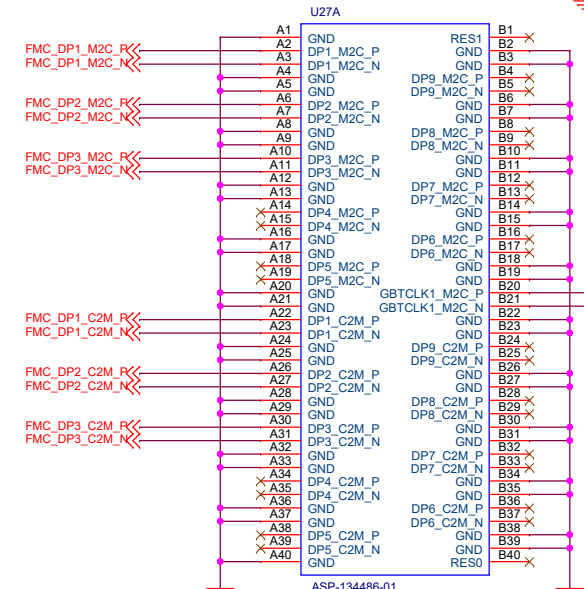
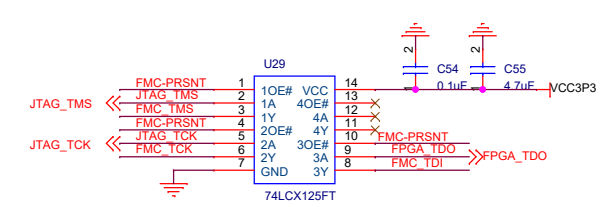
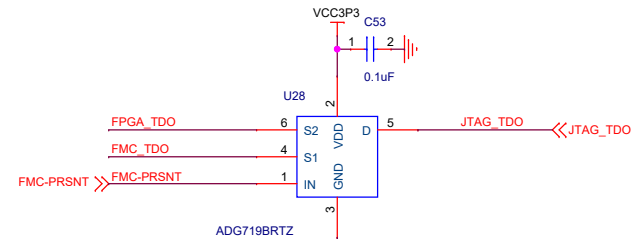
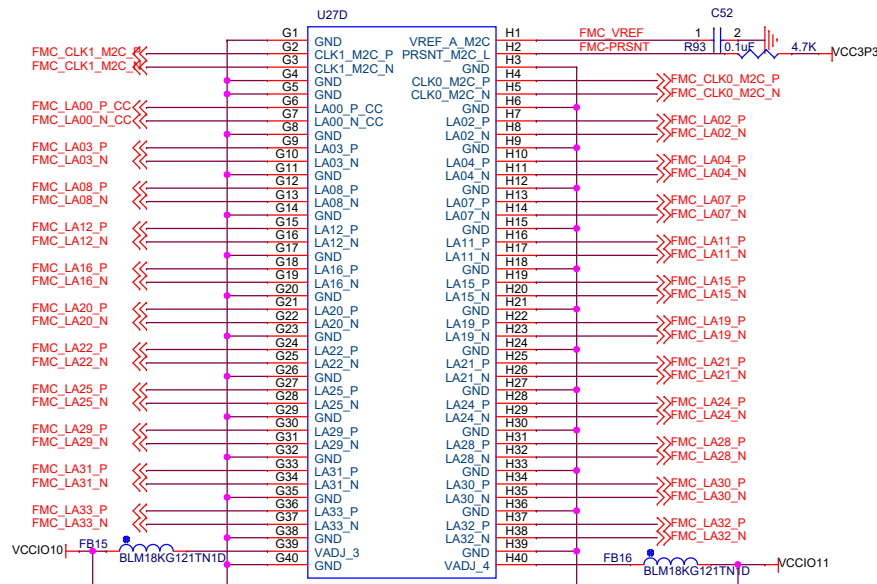
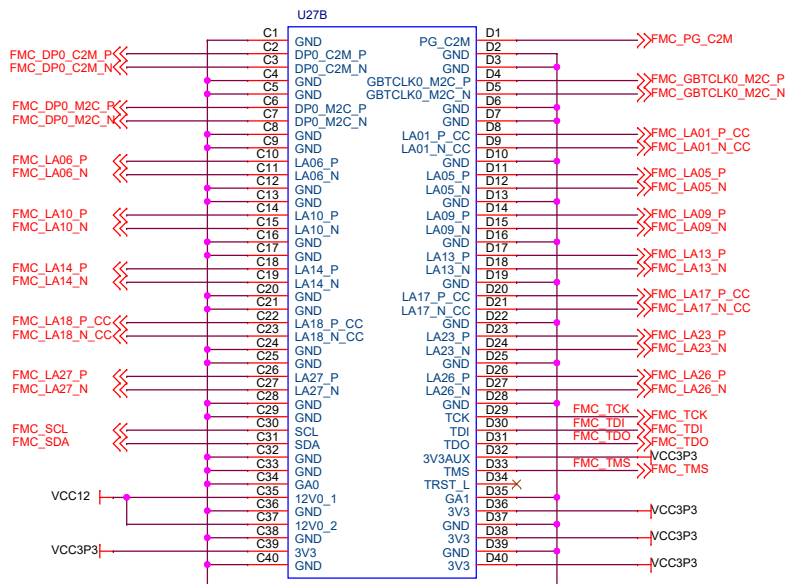


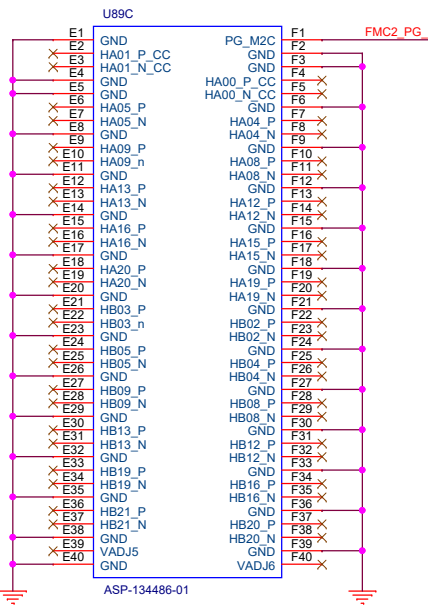
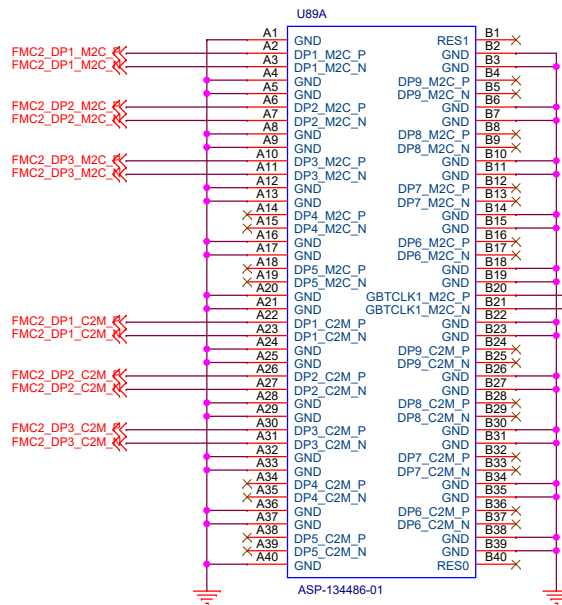
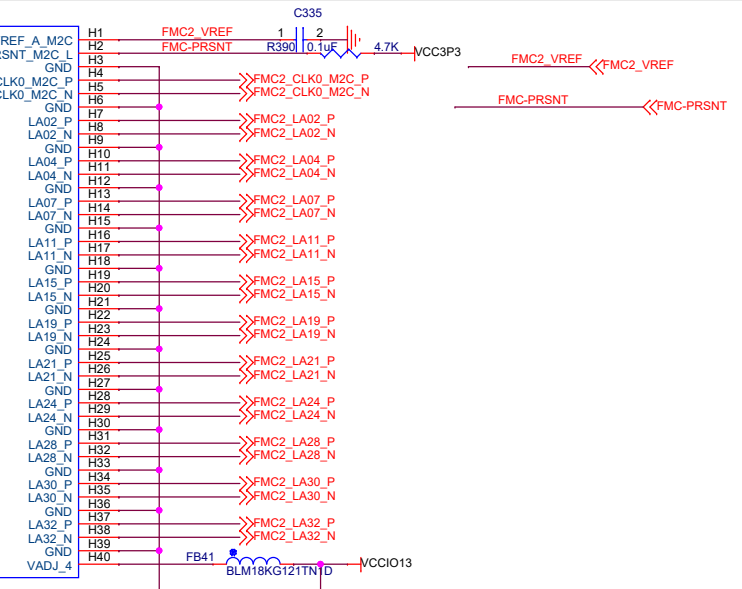
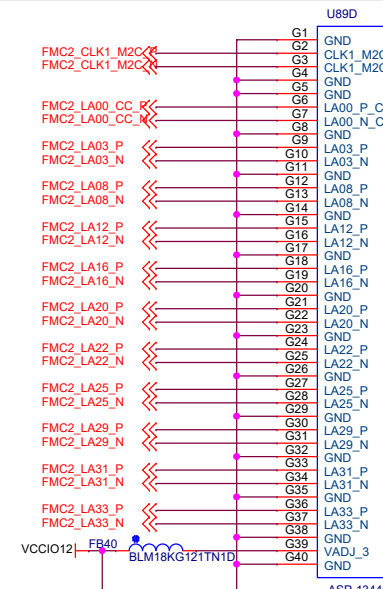
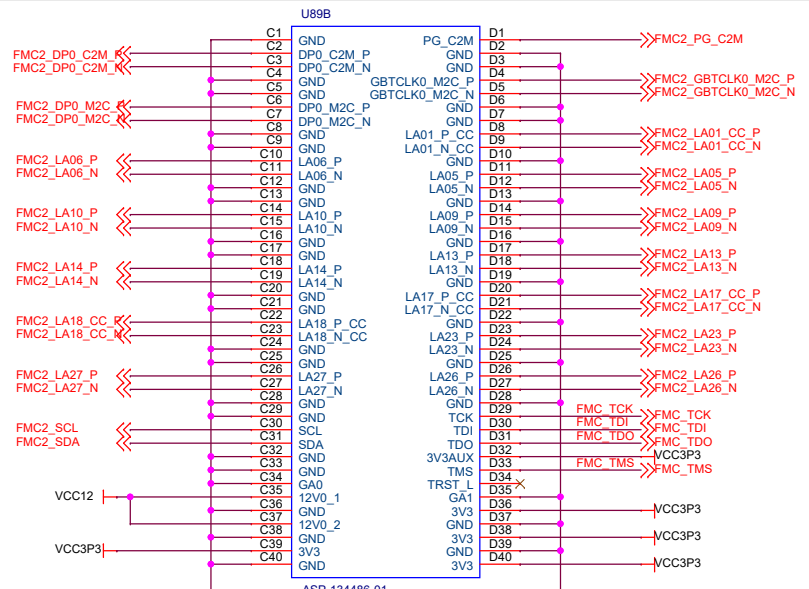


武汉芯路恒科技有限公司			
Title	ACZ709		
Size	File	Version	
A3	08_Debug_Port	250812	
Date:	Friday, November 14, 2025	Sheet	8 of 18



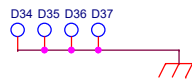
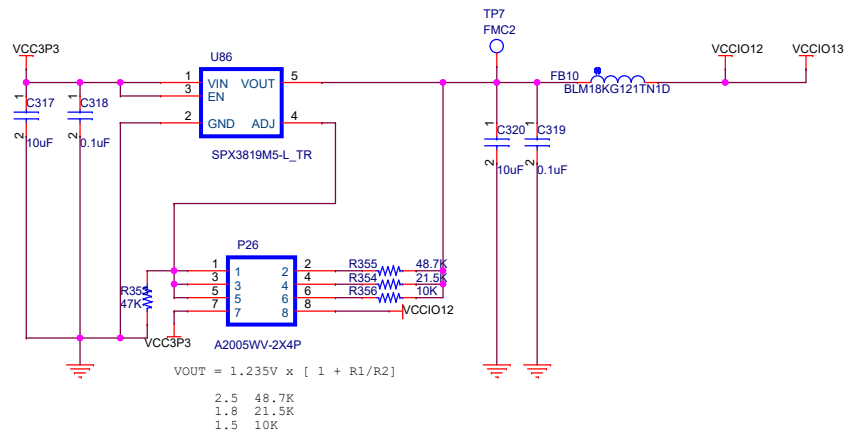
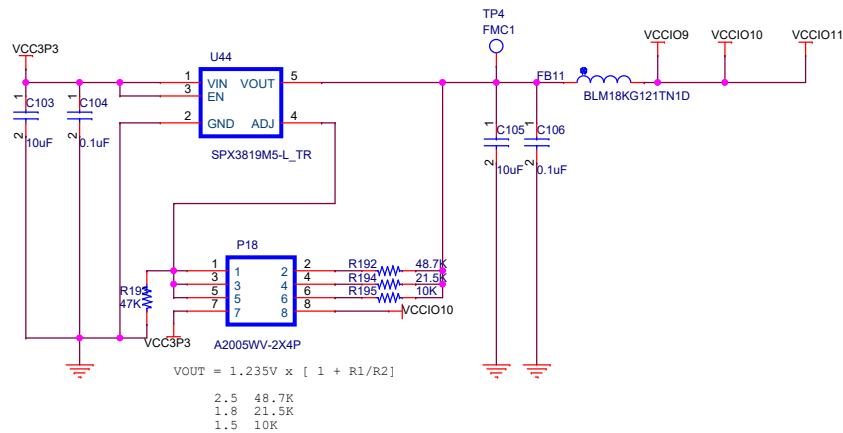
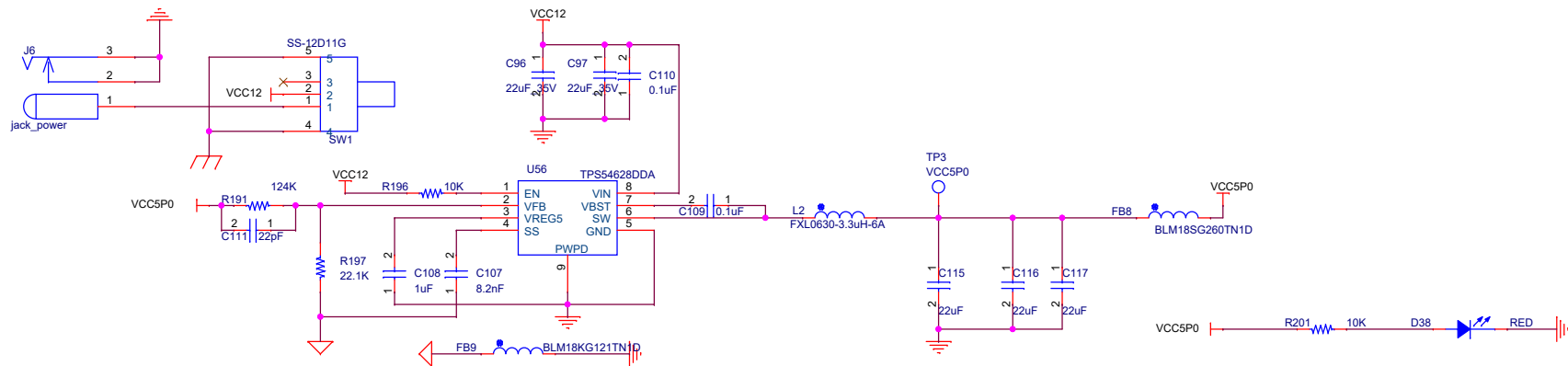




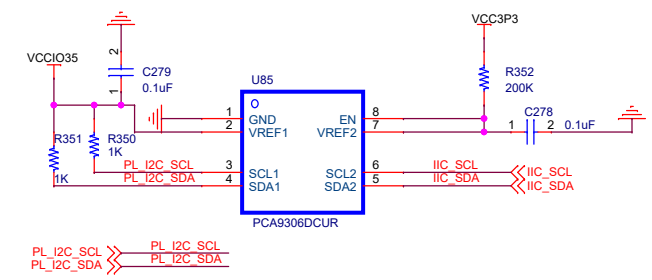
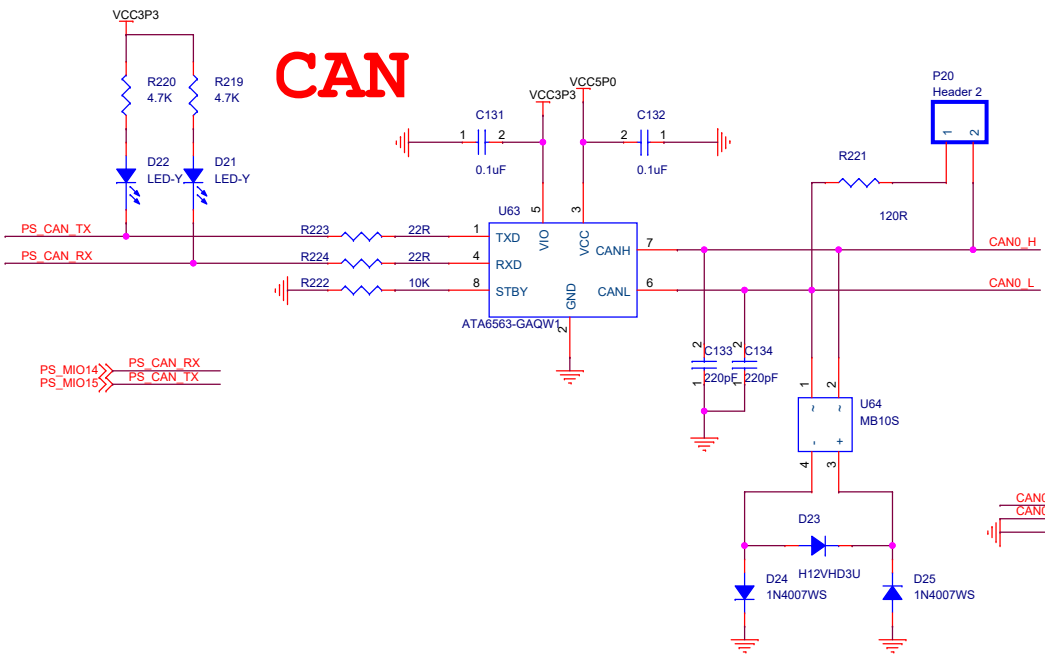


武汉芯路恒科技有限公司

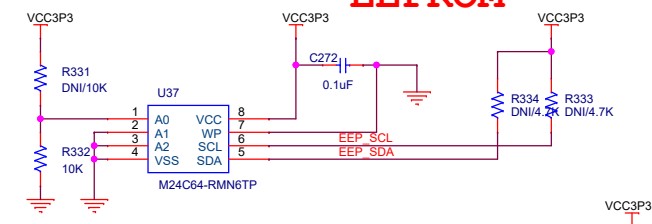
Title		
ACZ709		
Size	File	Version
A3	11_FMC_HPC	250812
Date:	Friday, November 14, 2025	Sheet 11 of 18



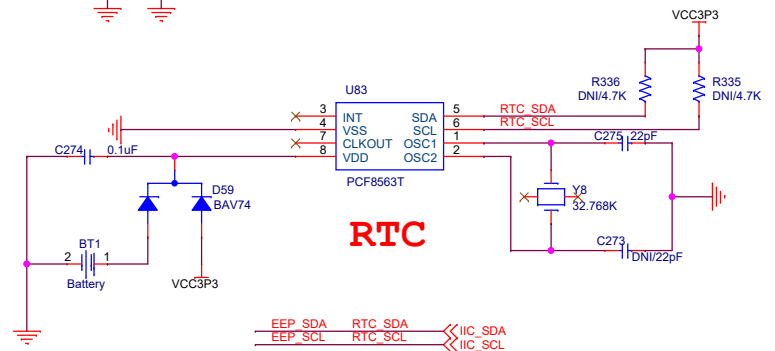
CAN



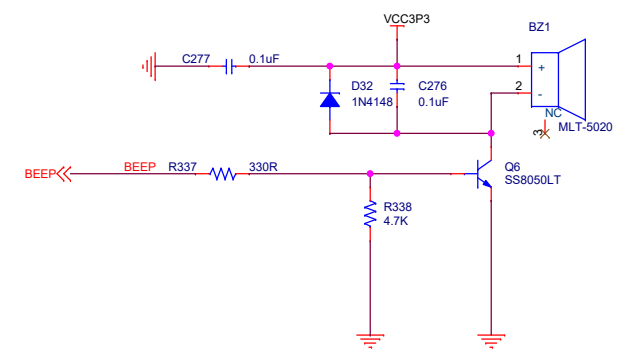
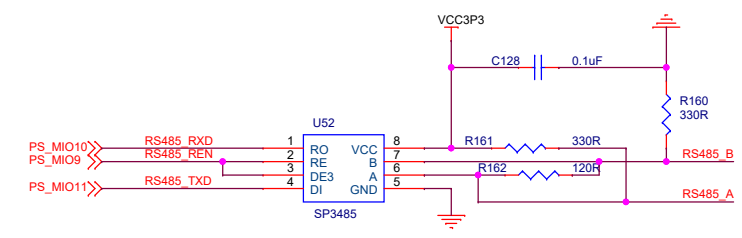
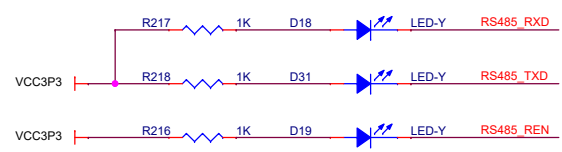
EEPROM



RTC



RS485



武汉芯路恒科技有限公司		
Title	ACZ709	
Size	File	Version
A3	13_CAN_485_IIC	250812
Date:	Friday, November 14, 2025	Sheet 13 of 18



