

U1B

BANK10

IO_0_10	AA13	B10_AA13
IO_L1P_T0_10	AK13	B10_L1_P
IO_L1N_T0_10	AK12	B10_L1_N
IO_L2P_T0_10	AH18	B10_L2_P
IO_L2N_T0_10	AJ18	B10_L2_N
IO_L3P_T0_DQS_10	AJ14	B10_L3_P
IO_L3N_T0_DQS_10	AJ13	B10_L3_N
IO_L4P_T0_10	AJ16	B10_L4_P
IO_L4N_T0_10	AK16	B10_L4_N
IO_L5P_T0_10	AJ15	B10_L5_P
IO_L5N_T0_10	AK15	B10_L5_N
IO_L6P_T0_10	AH17	B10_L6_P
IO_L6N_T0_VREF_10	AH16	B10_L6_N
IO_L7P_T1_10	AE12	B10_L7_P
IO_L7N_T1_10	AF12	B10_L7_N
IO_L8P_T1_10	AH14	B10_L8_P
IO_L8N_T1_10	AH13	B10_L8_N
IO_L9P_T1_DQS_10	AD14	B10_L9_P
IO_L9N_T1_DQS_10	AD13	B10_L9_N
IO_L10P_T1_10	AG12	B10_L10_P
IO_L10N_T1_10	AH12	B10_L10_N
IO_L11P_T1_SRCC_10	AE13	B10_L11_P
IO_L11N_T1_SRCC_10	AF13	B10_L11_N
IO_L12P_T1_MRCC_10	AF14	B10_L12_P
IO_L12N_T1_MRCC_10	AG14	B10_L12_N
IO_L13P_T2_MRCC_10	AG17	B10_L13_P
IO_L13N_T2_MRCC_10	AG16	B10_L13_N
IO_L14P_T2_SRCC_10	AF15	B10_L14_P
IO_L14N_T2_SRCC_10	AG15	B10_L14_N
IO_L15P_T2_DQS_10	AF18	B10_L15_P
IO_L15N_T2_DQS_10	AF17	B10_L15_N
IO_L16P_T2_10	AE16	B10_L16_P
IO_L16N_T2_10	AE15	B10_L16_N
IO_L17P_T2_10	AE18	B10_L17_P
IO_L17N_T2_10	AE17	B10_L17_N
IO_L18P_T2_10	AD16	B10_L18_P
IO_L18N_T2_10	AD15	B10_L18_N
IO_L19P_T3_10	AC14	B10_L19_P
IO_L19N_T3_VREF_10	AC13	B10_L19_N
IO_L20P_T3_10	AA15	B10_L20_P
IO_L20N_T3_10	AA14	B10_L20_N
IO_L21P_T3_DQS_10	AB12	B10_L21_P
IO_L21N_T3_DQS_10	AC12	B10_L21_N
IO_L22P_T3_10	AB15	B10_L22_P
IO_L22N_T3_10	AB14	B10_L22_N
IO_L23P_T3_10	AC17	B10_L23_P
IO_L23N_T3_10	AC16	B10_L23_N
IO_L24P_T3_10	AB17	B10_L24_P
IO_L24N_T3_10	AB16	B10_L24_N
IO_25_10	AA17	B10_AA17

XC7Z035-1FFG9001

U1C

BANK11

IO_0_11	W23	B11_W23
IO_L1P_T0_11	AJ25	B11_L1_N
IO_L1N_T0_11	AK25	B11_L1_P
IO_L2P_T0_11	AK22	B11_L2_P
IO_L2N_T0_11	AK23	B11_L2_N
IO_L3P_T0_DQS_11	AJ21	B11_L3_P
IO_L3N_T0_DQS_11	AK21	B11_L3_N
IO_L4P_T0_11	AJ23	B11_L4_P
IO_L4N_T0_11	AJ24	B11_L4_N
IO_L5P_T0_11	AH23	B11_L5_P
IO_L5N_T0_11	AH24	B11_L5_N
IO_L6P_T0_11	AG22	B11_L6_P
IO_L6N_T0_VREF_11	AH22	B11_L6_N
IO_L7P_T1_11	AC24	B11_L7_P
IO_L7N_T1_11	AD24	B11_L7_N
IO_L8P_T1_11	AG24	B11_L8_P
IO_L8N_T1_11	AG25	B11_L8_N
IO_L9P_T1_DQS_11	AF23	B11_L9_P
IO_L9N_T1_DQS_11	AF24	B11_L9_N
IO_L10P_T1_11	AD21	B11_L10_P
IO_L10N_T1_11	AE21	B11_L10_N
IO_L11P_T1_SRCC_11	AD23	B11_L11_P
IO_L11N_T1_SRCC_11	AE23	B11_L11_N
IO_L12P_T1_MRCC_11	AE22	B11_L12_P
IO_L12N_T1_MRCC_11	AF22	B11_L12_N
IO_L13P_T2_MRCC_11	AG21	B11_L13_P
IO_L13N_T2_MRCC_11	AH21	B11_L13_N
IO_L14P_T2_SRCC_11	AF20	B11_L14_P
IO_L14N_T2_SRCC_11	AG20	B11_L14_N
IO_L15P_T2_DQS_11	AJ20	B11_L15_P
IO_L15N_T2_DQS_11	AK20	B11_L15_N
IO_L16P_T2_11	AK17	B11_L16_P
IO_L16N_T2_11	AK18	B11_L16_N
IO_L17P_T2_11	AH19	B11_L17_P
IO_L17N_T2_11	AJ19	B11_L17_N
IO_L18P_T2_11	AF19	B11_L18_P
IO_L18N_T2_11	AG19	B11_L18_N
IO_L19P_T3_11	AB21	B11_L19_P
IO_L19N_T3_VREF_11	AB22	B11_L19_N
IO_L20P_T3_11	W21	B11_L20_P
IO_L20N_T3_11	Y21	B11_L20_N
IO_L21P_T3_DQS_11	Y22	B11_L21_P
IO_L21N_T3_DQS_11	Y23	B11_L21_N
IO_L22P_T3_11	AA24	B11_L22_P
IO_L22N_T3_11	AB24	B11_L22_N
IO_L23P_T3_11	AA22	B11_L23_P
IO_L23N_T3_11	AA23	B11_L23_N
IO_L24P_T3_11	AC22	B11_L24_P
IO_L24N_T3_11	AC23	B11_L24_N
IO_25_11	AC21	B11_AC21

XC7Z035-1FFG9001

武汉芯路恒科技有限公司

Title		
ACZ7035-CORE		
Size	File	Version
A4	02_BANK10/11	250626
Date:	Wednesday, July 23, 2025	Sheet 2 of 14



U1D

BANK12

IO_0_12	Y25	B12_Y25
IO_L1P_T0_12	Y30	B12_L1_P
IO_L1N_T0_12	AA30	B12_L1_N
IO_L2P_T0_12	AB29	B12_L2_P
IO_L2N_T0_12	AB30	B12_L2_N
IO_L3P_T0_DQS_12	Y26	B12_L3_P
IO_L3N_T0_DQS_12	Y27	B12_L3_N
IO_L4P_T0_12	Y28	B12_L4_P
IO_L4N_T0_12	AA29	B12_L4_N
IO_L5P_T0_12	AA27	B12_L5_P
IO_L5N_T0_12	AA28	B12_L5_N
IO_L6P_T0_12	AB25	B12_L6_P
IO_L6N_T0_VREF_12	AB26	B12_L6_N
IO_L7P_T1_12	AC26	B12_L7_P
IO_L7N_T1_12	AD26	B12_L7_N
IO_L8P_T1_12	AD30	B12_L8_P
IO_L8N_T1_12	AE30	B12_L8_N
IO_L9P_T1_DQS_12	AC29	B12_L9_P
IO_L9N_T1_DQS_12	AD29	B12_L9_N
IO_L10P_T1_12	AD25	B12_L10_P
IO_L10N_T1_12	AE26	B12_L10_N
IO_L11P_T1_SRCC_12	AB27	B12_L11_P
IO_L11N_T1_SRCC_12	AC27	B12_L11_N
IO_L12P_T1_MRCC_12	AC28	B12_L12_P
IO_L12N_T1_MRCC_12	AD28	B12_L12_N
IO_L13P_T2_MRCC_12	AE28	B12_L13_P
IO_L13N_T2_MRCC_12	AF28	B12_L13_N
IO_L14P_T2_SRCC_12	AE27	B12_L14_P
IO_L14N_T2_SRCC_12	AF27	B12_L14_N
IO_L15P_T2_DQS_12	AF29	B12_L15_P
IO_L15N_T2_DQS_12	AG29	B12_L15_N
IO_L16P_T2_12	AF30	B12_L16_P
IO_L16N_T2_12	AG30	B12_L16_N
IO_L17P_T2_12	AG26	B12_L17_P
IO_L17N_T2_12	AG27	B12_L17_N
IO_L18P_T2_12	AE25	B12_L18_P
IO_L18N_T2_12	AF25	B12_L18_N
IO_L19P_T3_12	AH28	B12_L19_P
IO_L19N_T3_VREF_12	AH29	B12_L19_N
IO_L20P_T3_12	AJ30	B12_L20_P
IO_L20N_T3_12	AK30	B12_L20_N
IO_L21P_T3_DQS_12	AJ28	B12_L21_P
IO_L21N_T3_DQS_12	AJ29	B12_L21_N
IO_L22P_T3_12	AK27	B12_L22_P
IO_L22N_T3_12	AK28	B12_L22_N
IO_L23P_T3_12	AH26	B12_L23_P
IO_L23N_T3_12	AH27	B12_L23_N
IO_L24P_T3_12	AJ26	B12_L24_P
IO_L24N_T3_12	AK26	B12_L24_N
IO_25_12	AA25	B12_AA25

XC7Z035-1FFG9001

U1E

BANK13

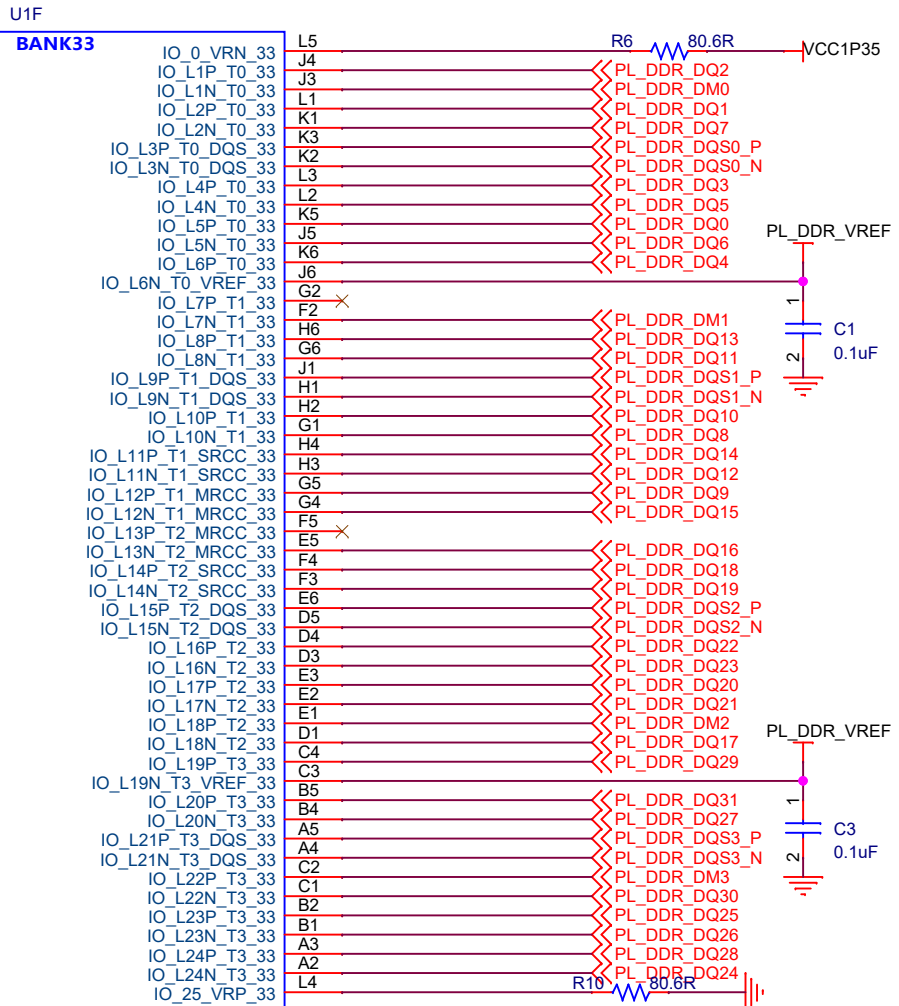
IO_0_13	U21	B13_U21
IO_L1P_T0_13	P30	B13_L1_P
IO_L1N_T0_13	R30	B13_L1_N
IO_L2P_T0_13	T30	B13_L2_P
IO_L2N_T0_13	U30	B13_L2_N
IO_L3P_T0_DQS_13	N28	B13_L3_P
IO_L3N_T0_DQS_13	P28	B13_L3_N
IO_L4P_T0_13	N29	B13_L4_P
IO_L4N_T0_13	P29	B13_L4_N
IO_L5P_T0_13	T29	B13_L5_P
IO_L5N_T0_13	U29	B13_L5_N
IO_L6P_T0_13	R28	B13_L6_P
IO_L6N_T0_VREF_13	T28	B13_L6_N
IO_L7P_T1_13	V28	B13_L7_P
IO_L7N_T1_13	V29	B13_L7_N
IO_L8P_T1_13	W29	B13_L8_P
IO_L8N_T1_13	W30	B13_L8_N
IO_L9P_T1_DQS_13	V27	B13_L9_P
IO_L9N_T1_DQS_13	W28	B13_L9_N
IO_L10P_T1_13	W25	B13_L10_P
IO_L10N_T1_13	W26	B13_L10_N
IO_L11P_T1_SRCC_13	U25	B13_L11_P
IO_L11N_T1_SRCC_13	V26	B13_L11_N
IO_L12P_T1_MRCC_13	U26	B13_L12_P
IO_L12N_T1_MRCC_13	U27	B13_L12_N
IO_L13P_T2_MRCC_13	R25	B13_L13_P
IO_L13N_T2_MRCC_13	R26	B13_L13_N
IO_L14P_T2_SRCC_13	R27	B13_L14_P
IO_L14N_T2_SRCC_13	T27	B13_L14_N
IO_L15P_T2_DQS_13	N26	B13_L15_P
IO_L15N_T2_DQS_13	N27	B13_L15_N
IO_L16P_T2_13	P25	B13_L16_P
IO_L16N_T2_13	P26	B13_L16_N
IO_L17P_T2_13	T24	B13_L17_P
IO_L17N_T2_13	T25	B13_L17_N
IO_L18P_T2_13	P23	B13_L18_P
IO_L18N_T2_13	P24	B13_L18_N
IO_L19P_T3_13	P21	B13_L19_P
IO_L19N_T3_VREF_13	R21	B13_L19_N
IO_L20P_T3_13	T22	B13_L20_P
IO_L20N_T3_13	T23	B13_L20_N
IO_L21P_T3_DQS_13	R22	B13_L21_P
IO_L21N_T3_DQS_13	R23	B13_L21_N
IO_L22P_T3_13	U22	B13_L22_P
IO_L22N_T3_13	V22	B13_L22_N
IO_L23P_T3_13	U24	B13_L23_P
IO_L23N_T3_13	V24	B13_L23_N
IO_L24P_T3_13	V23	B13_L24_P
IO_L24N_T3_13	W24	B13_L24_N
IO_25_13	V21	B13_V21

XC7Z035-1FFG9001

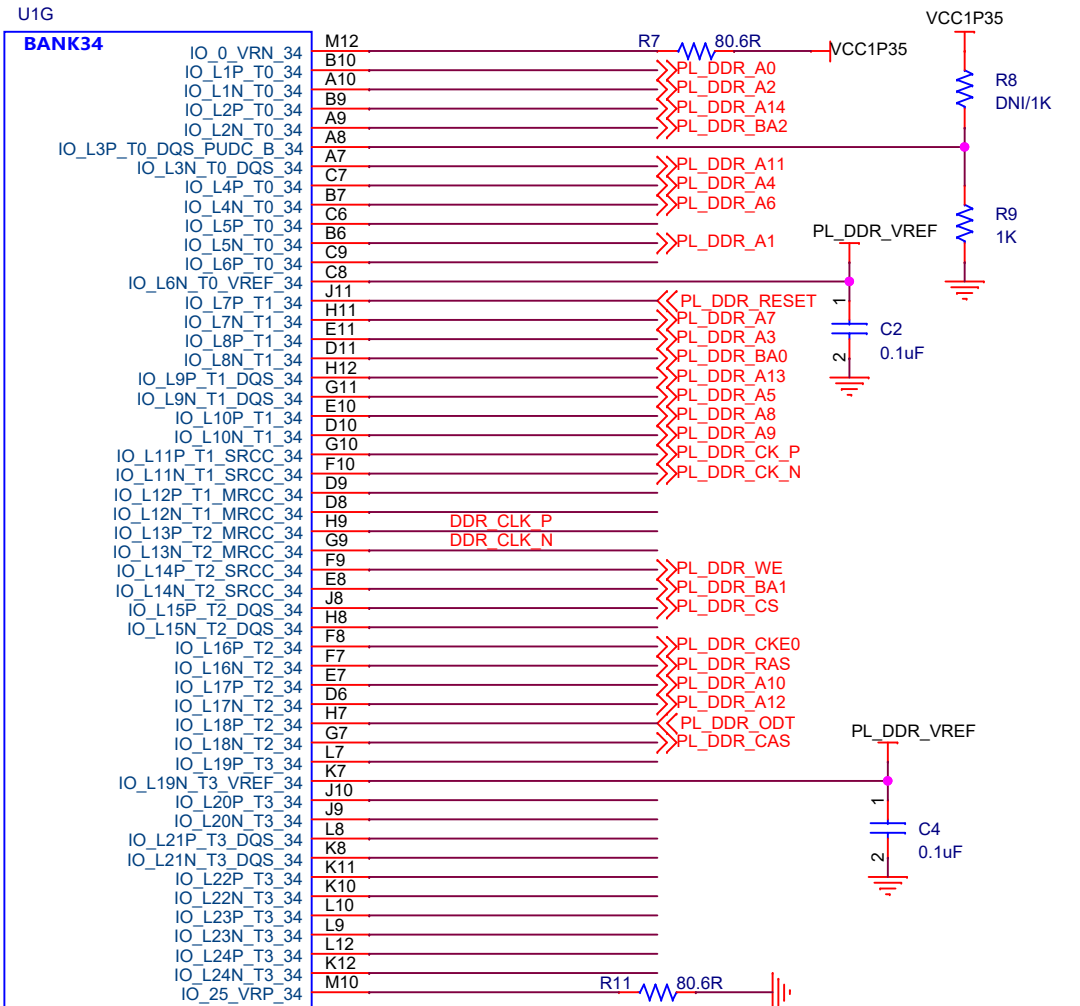
武汉芯路恒科技有限公司

Title		
ACZ7035-CORE		
Size	File	Version
A4	03_BANK12/13	250626
Date:	Wednesday, July 23, 2025	Sheet 3 of 14

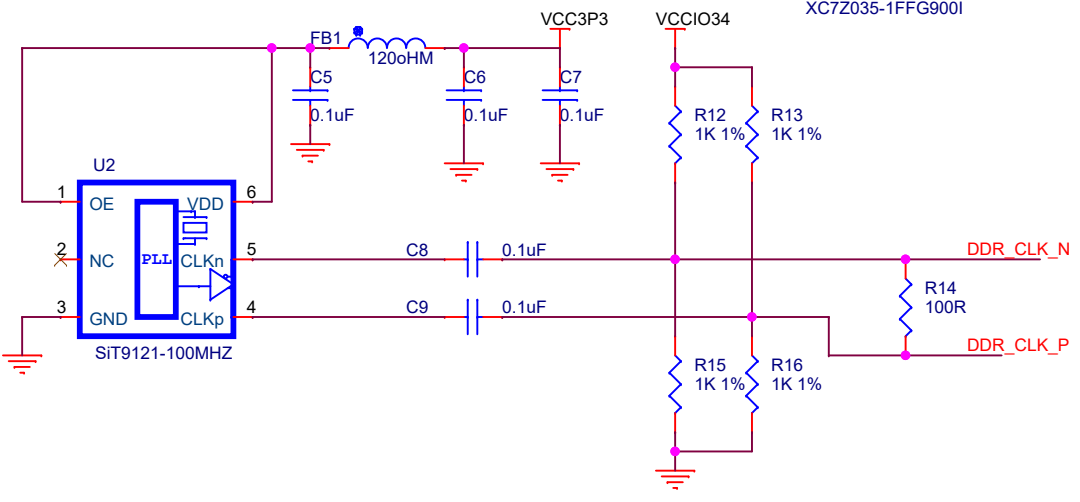




XC7Z035-1FFG9001



XC7Z035-1FFG9001



武汉芯路恒科技有限公司		
Title ACZ7035-CORE		
Size A4	File 04_BANK33\34	Version 250626
Date: Wednesday, July 23, 2025	Sheet 4	of 14

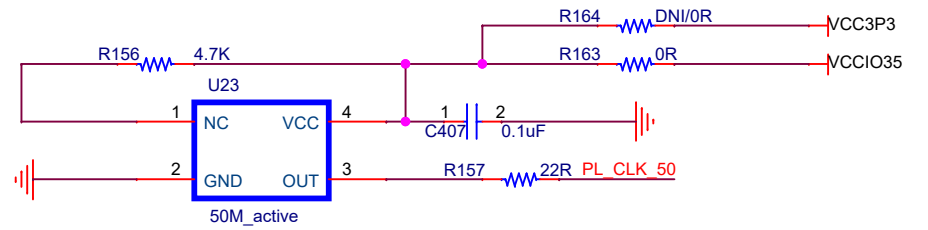
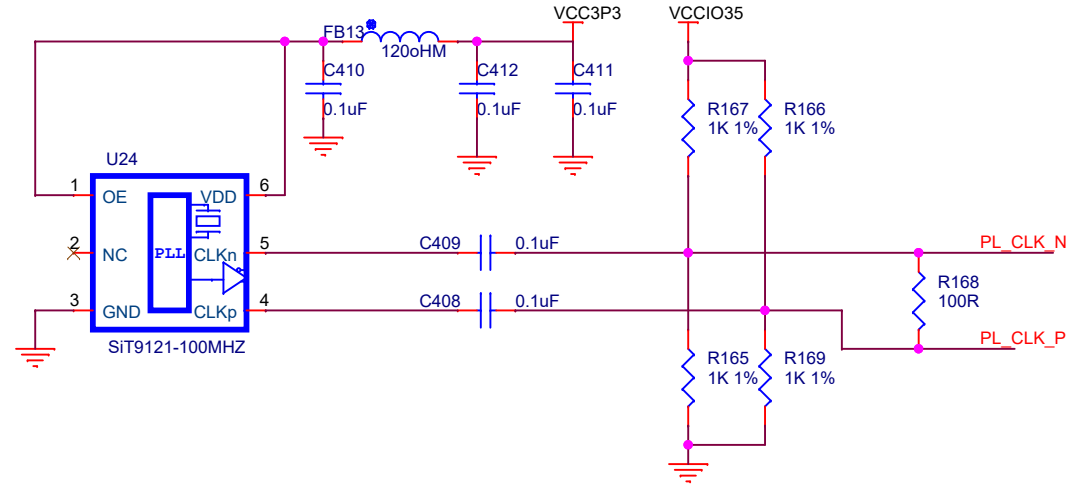


U1H

BANK35

IO_0_VRN_35	K16	>>B35_K16
IO_L1P_T0_AD0P_35	L15	>>B35_L1_P
IO_L1N_T0_AD0N_35	L14	>>B35_L1_N
IO_L2P_T0_AD8P_35	J13	>>B35_L2_P
IO_L2N_T0_AD8N_35	H13	>>B35_L2_N
IO_L3P_T0_DQS_AD1P_35	L13	>>B35_L3_P
IO_L3N_T0_DQS_AD1N_35	K13	>>B35_L3_N
IO_L4P_T0_35	J14	>>B35_L4_P
IO_L4N_T0_35	H14	>>B35_L4_N
IO_L5P_T0_AD9P_35	K15	>>B35_L5_P
IO_L5N_T0_AD9N_35	J15	>>B35_L5_N
IO_L6P_T0_35	J16	>>B35_L6_P
IO_L6N_T0_VREF_35	H16	>>B35_L6_N
IO_L7P_T1_AD2P_35	G17	>>B35_L7_P
IO_L7N_T1_AD2N_35	G16	>>B35_L7_N
IO_L8P_T1_AD10P_35	G15	>>B35_L8_P
IO_L8N_T1_AD10N_35	G14	>>B35_L8_N
IO_L9P_T1_DQS_AD3P_35	G12	>>B35_L9_P
IO_L9N_T1_DQS_AD3N_35	F13	>>B35_L9_N
IO_L10P_T1_AD11P_35	E12	>>B35_L10_P
IO_L10N_T1_AD11N_35	F13	>>B35_L10_N
IO_L11P_T1_SRCC_35	E13	>>B35_L11_P
IO_L11N_T1_SRCC_35	D13	>>B35_L11_N
IO_L12P_T1_MRCC_35	F15	PL_CLK_50
IO_L12N_T1_MRCC_35	F14	
IO_L13P_T2_MRCC_35	E16	PL_CLK_P
IO_L13N_T2_MRCC_35	E15	PL_CLK_N
IO_L14P_T2_AD4P_SRCC_35	D15	>>B35_L14_P
IO_L14N_T2_AD4N_SRCC_35	D14	>>B35_L14_N
IO_L15P_T2_DQS_AD12P_35	F17	>>B35_L15_P
IO_L15N_T2_DQS_AD12N_35	E17	>>B35_L15_N
IO_L16P_T2_35	D16	>>B35_L16_P
IO_L16N_T2_35	C16	>>B35_L16_N
IO_L17P_T2_AD5P_35	C17	>>B35_L17_P
IO_L17N_T2_AD5N_35	B16	>>B35_L17_N
IO_L18P_T2_AD13P_35	B17	>>B35_L18_P
IO_L18N_T2_AD13N_35	A17	>>B35_L18_N
IO_L19P_T3_35	C14	>>B35_L19_P
IO_L19N_T3_VREF_35	C13	>>B35_L19_N
IO_L20P_T3_AD6P_35	C12	>>B35_L20_P
IO_L20N_T3_AD6N_35	B12	>>B35_L20_N
IO_L21P_T3_DQS_AD14P_35	B15	>>B35_L21_P
IO_L21N_T3_DQS_AD14N_35	A15	>>B35_L21_N
IO_L22P_T3_AD7P_35	C11	>>B35_L22_P
IO_L22N_T3_AD7N_35	B14	>>B35_L22_N
IO_L23P_T3_35	A14	>>B35_L23_P
IO_L23N_T3_35	A13	>>B35_L23_N
IO_L24P_T3_AD15P_35	A12	>>B35_L24_P
IO_L24N_T3_AD15N_35	A13	>>B35_L24_N
IO_25_VRP_35	M16	>>B35_M16

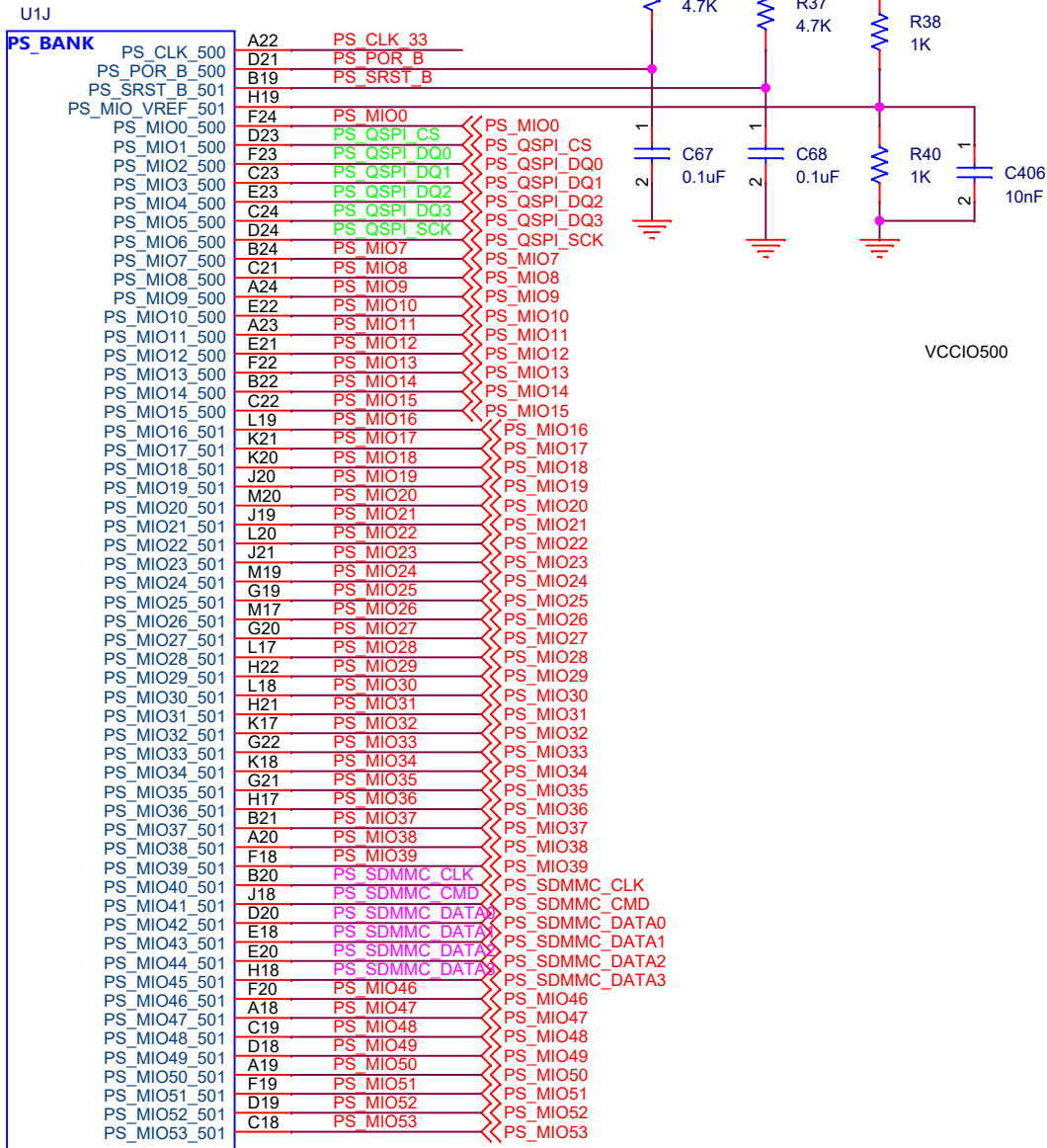
XC7Z035-1FFG9001



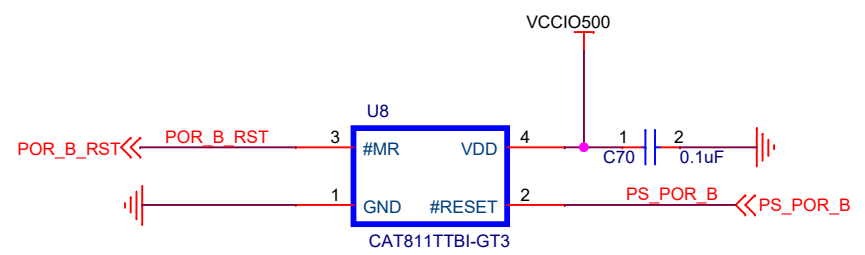
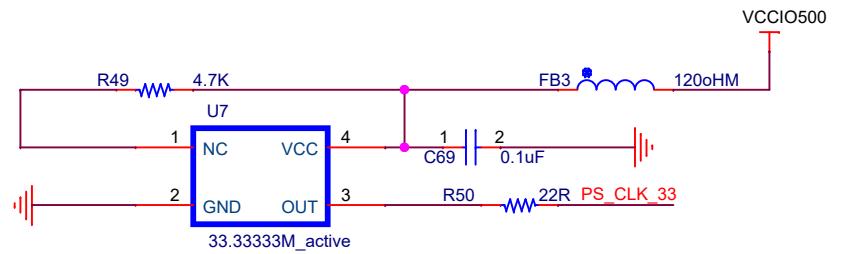
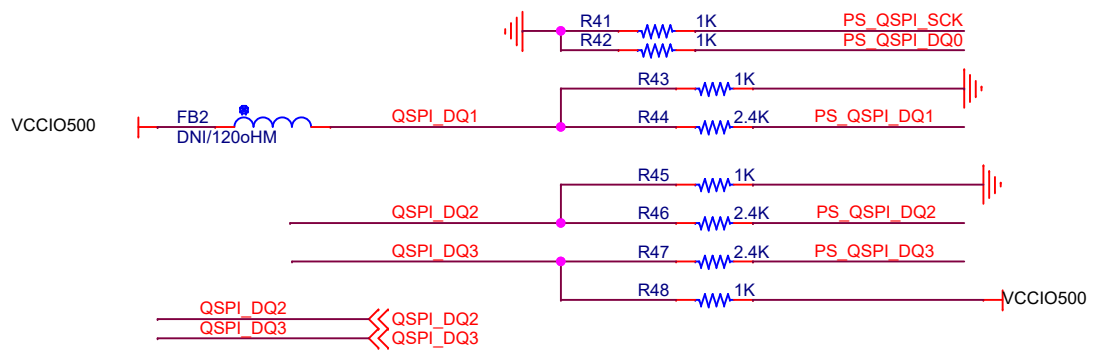
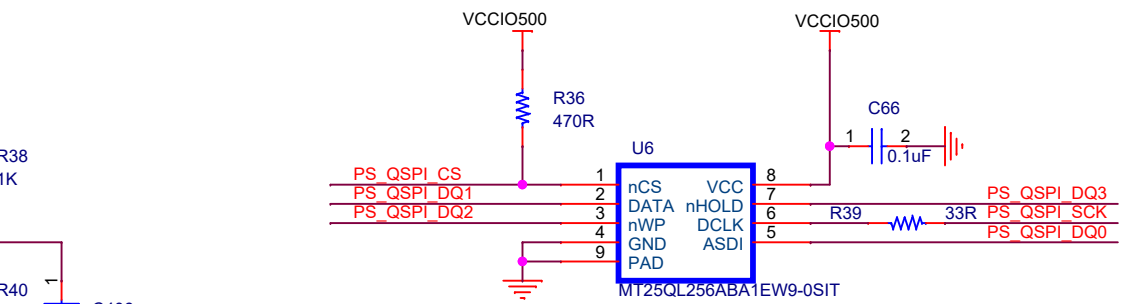
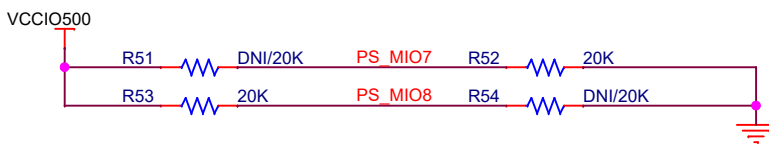
武汉芯路恒科技有限公司

Title		
ACZ7035-CORE		
Size	File	Version
A4	05_BANK35	250626
Date:	Wednesday, July 23, 2025	Sheet 5 of 14



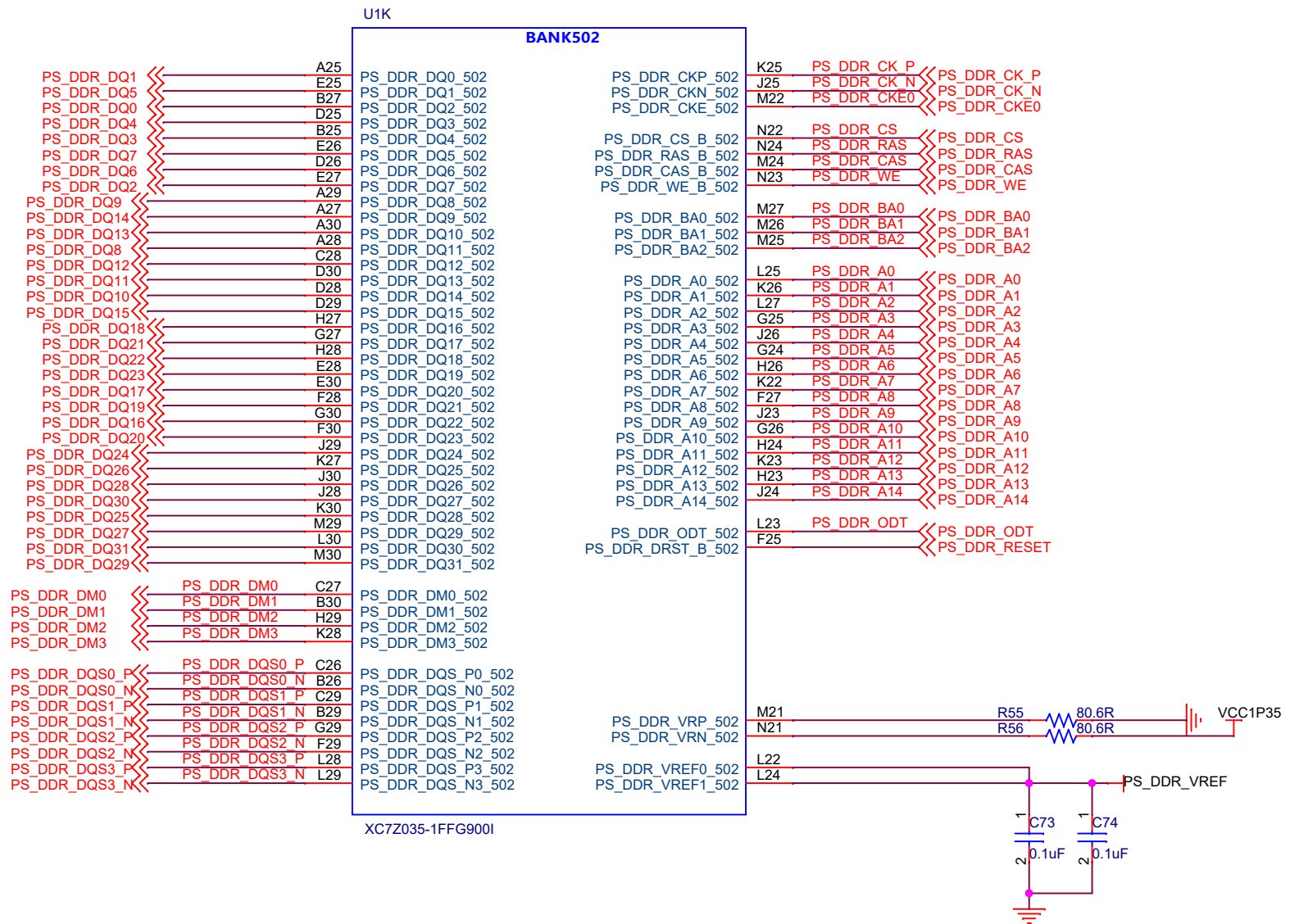


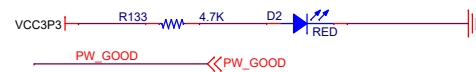
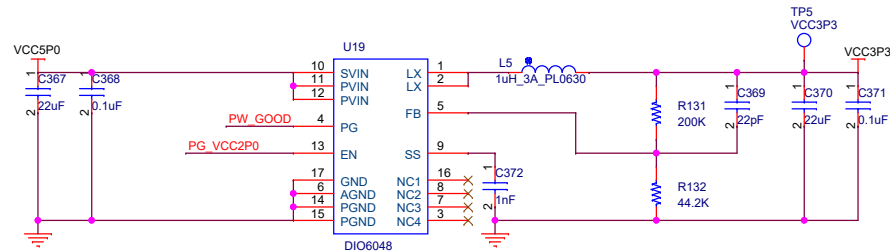
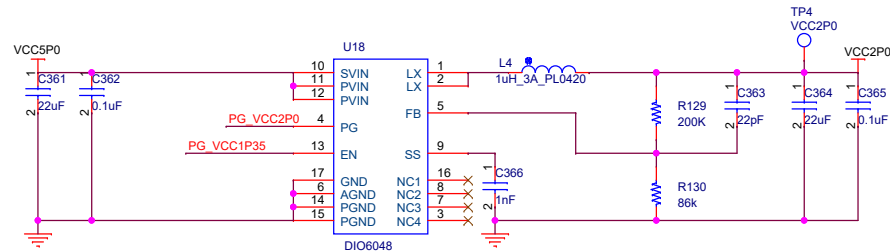
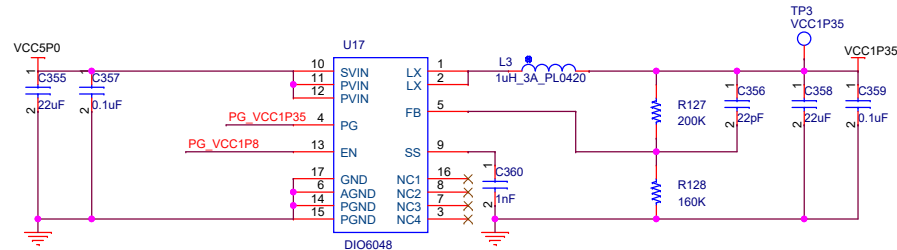
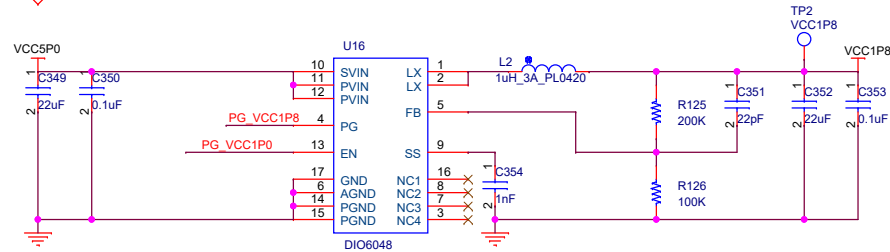
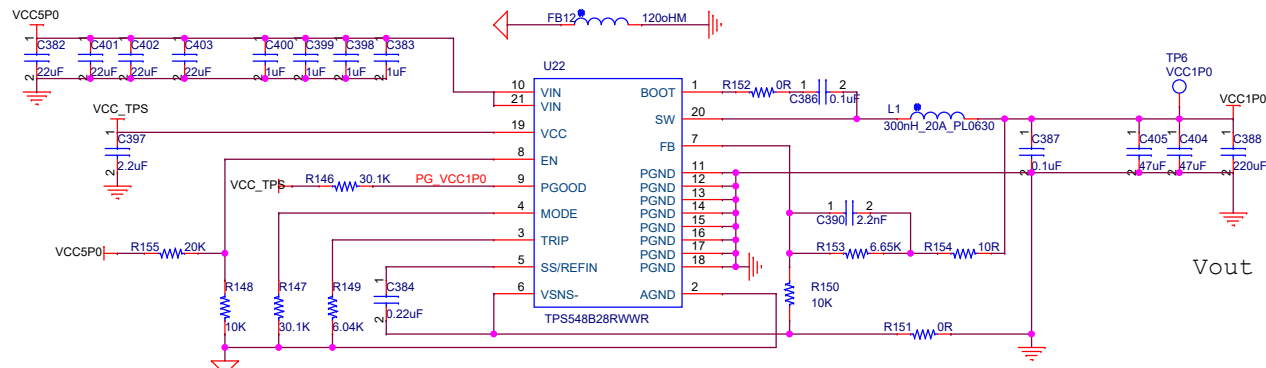
XC7Z035-1FFG900I



武汉芯路恒科技有限公司		
Title AC7Z035-CORE		
Size A4	File 07_BANK500I501	Version 250626
Date:	Wednesday, July 23, 2025	Sheet 7 of 14







武汉芯路恒科技有限公司		
Title	ACZ7035-CORE	
Size	File	Version
A3	12_POWER	250626
Date:	Wednesday, July 23, 2025	Sheet 12 of 14



