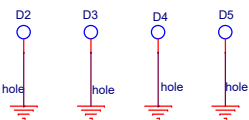


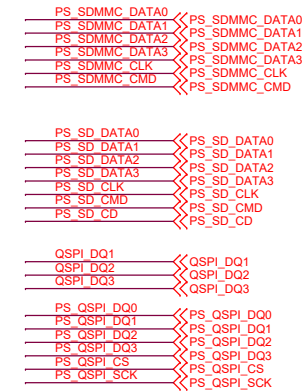
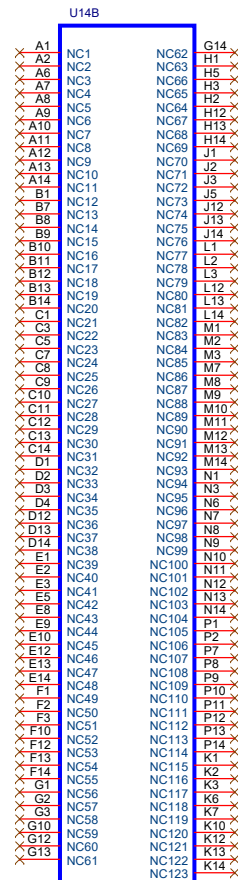
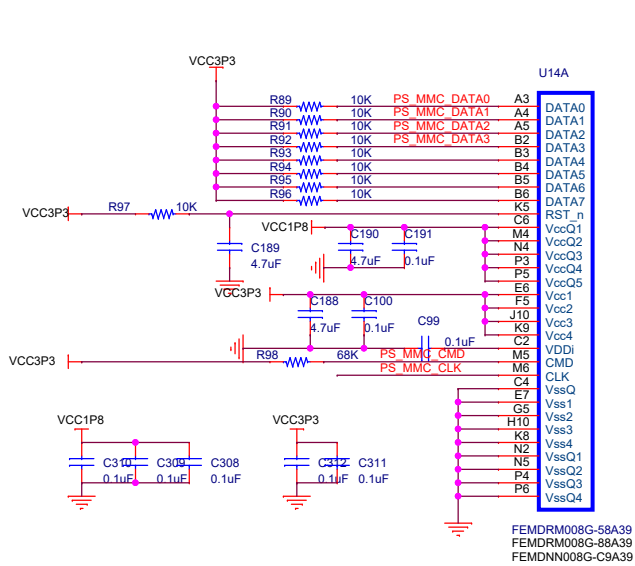
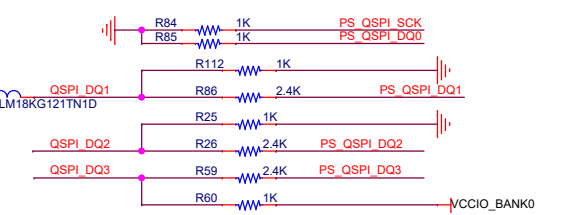
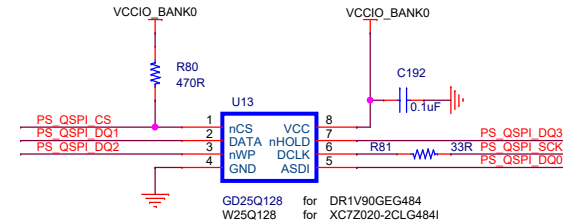
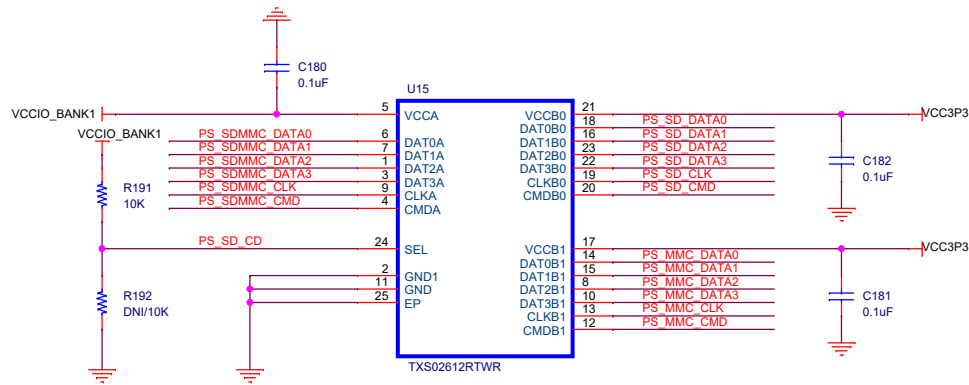
PW\_GOOD ← PW\_GOOD

$$V_{out} = 0.8 \left( \frac{R1}{R2} + 1 \right)$$

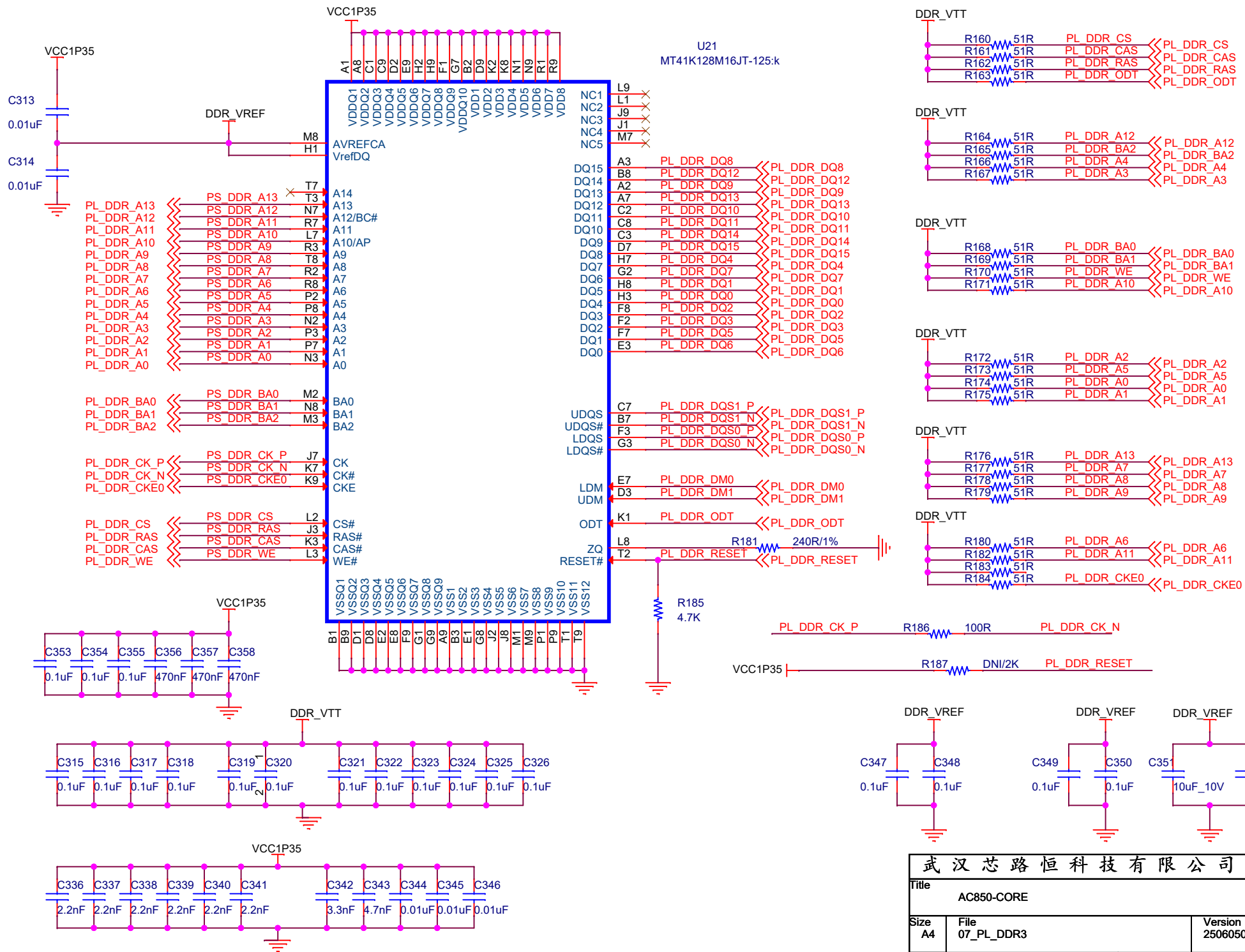


武汉芯路恒科技有限公司		
Title	AC850-CORE	
Size	File	Version
A3	05_POWER	25060501
Date:	Wednesday, December 10, 2025 Sheet 5 of 8	





FEMDRM008G-58A39  
FEMDRM008G-88A39  
FEMDNN008G-C9A39



武汉芯路恒科技有限公司

Title		
AC850-CORE		
Size	File	Version
A4	07_PL_DDR3	25060501
Date:	Wednesday, December 10, 2025	
Sheet		7 of 8



