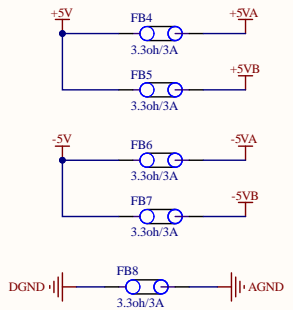
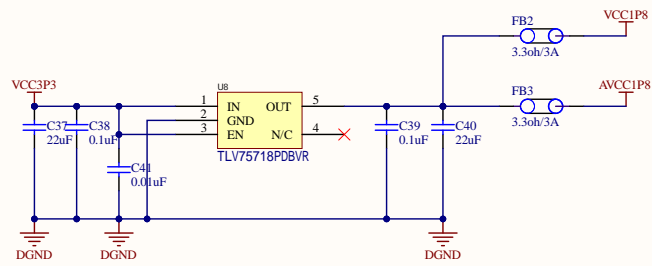
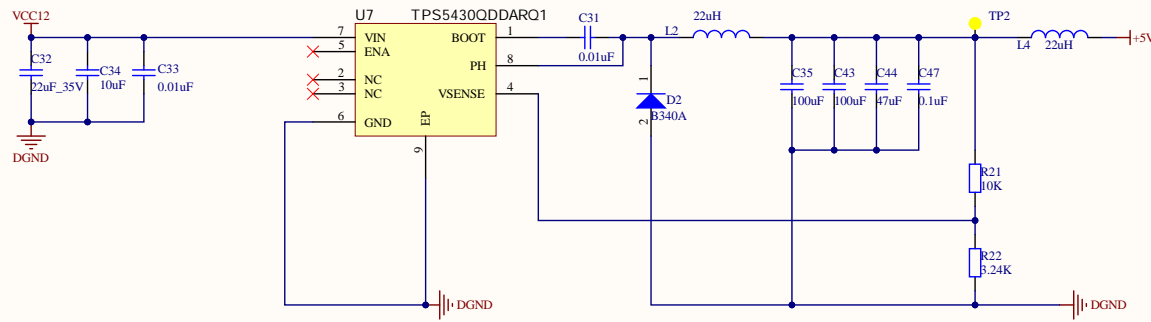
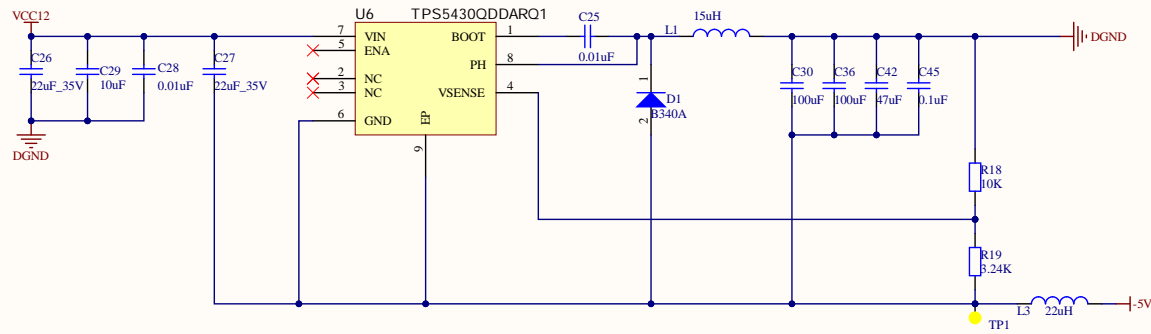


Title		
Size	Number	Revision
A3		
Date:	9-05-2025	Sheet of
File:	D:\AD-PRJ\...\Connector.SchDoc	Drawn By:



Title		
Size	Number	Revision
A3		
Date:	9-05-2025	Sheet of
File:	D:\AD-PRJ\Power.SchDoc	Drawn By: