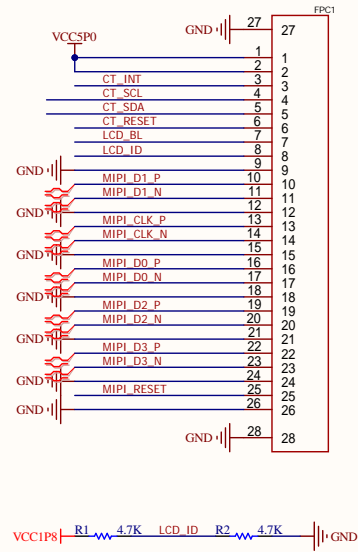
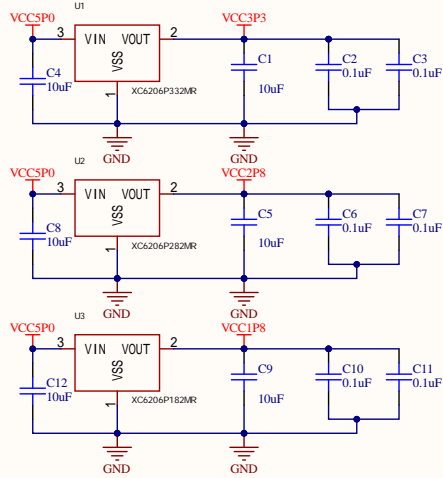
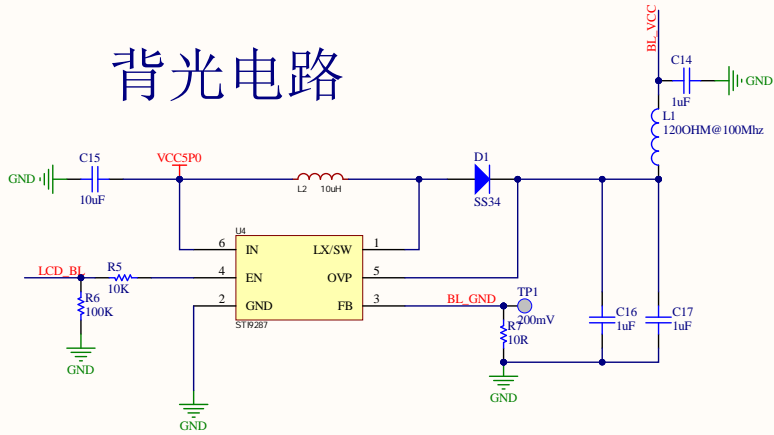


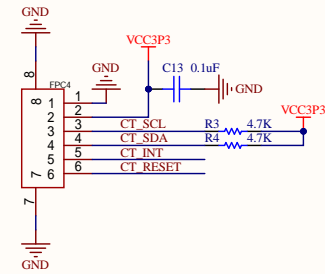
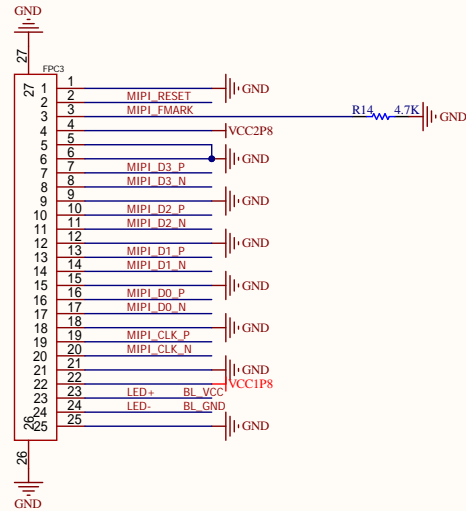
5V转3.3降压电路



背光电路



电容触摸屏接口



Title		
Size	Number	Revision
A3		
Date:	12-24-2025	Sheet of
File:	D:\AD-PRJ\MIPI-LCD.SchDoc	Drawn By: