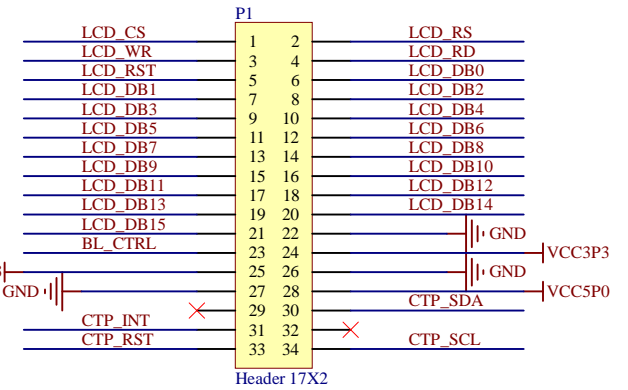
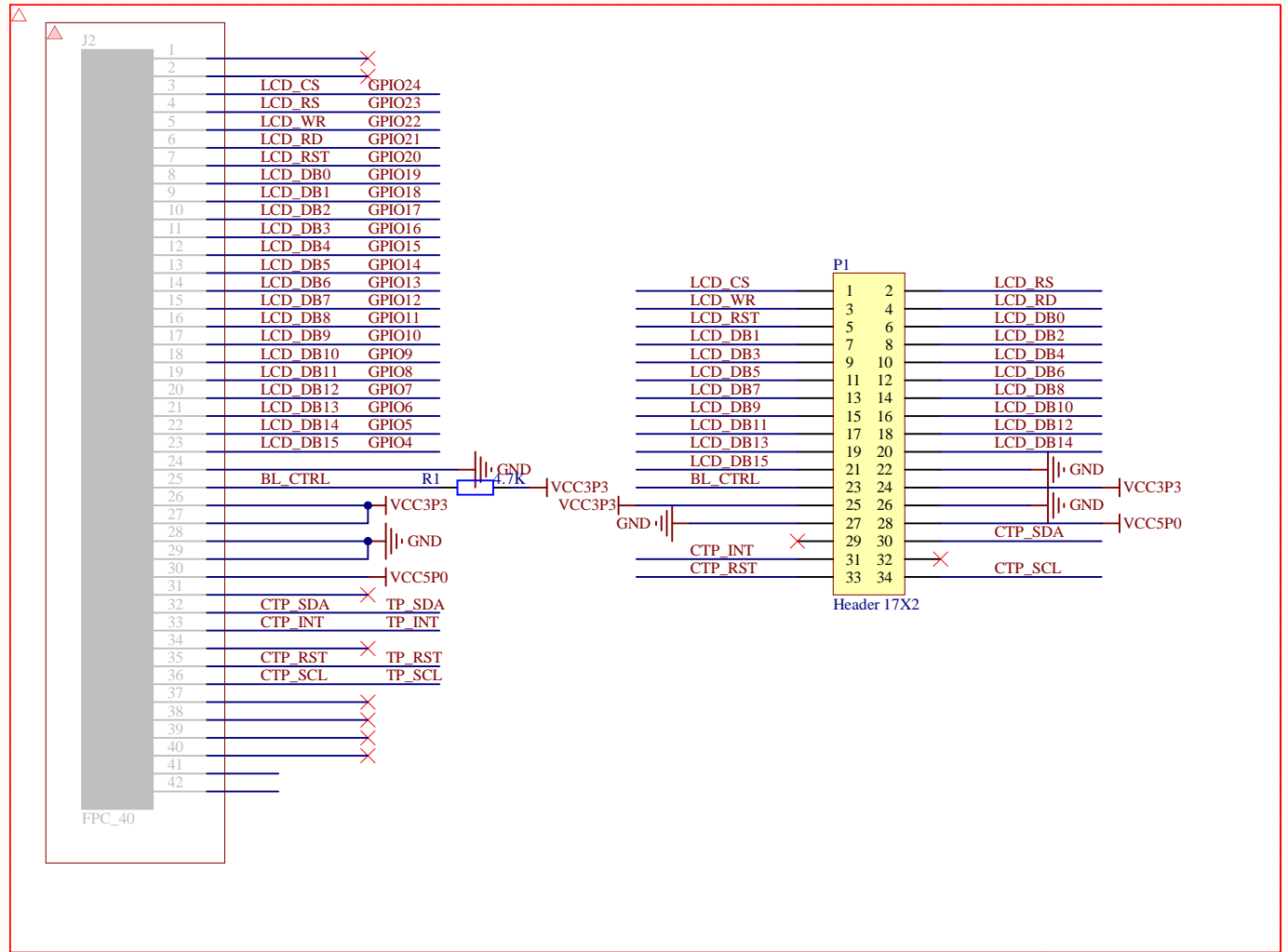
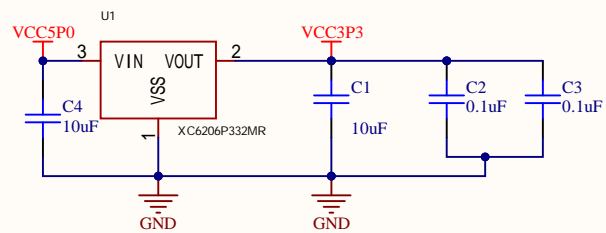


翻盖下接40P 0.5mm FPC排线座



Title		
Size	Number	Revision
A4		
Date:	9-22-2025	Sheet of
File:	D:\AD-PRJ\...\FPCtoRGB.SchDoc	Drawn By: