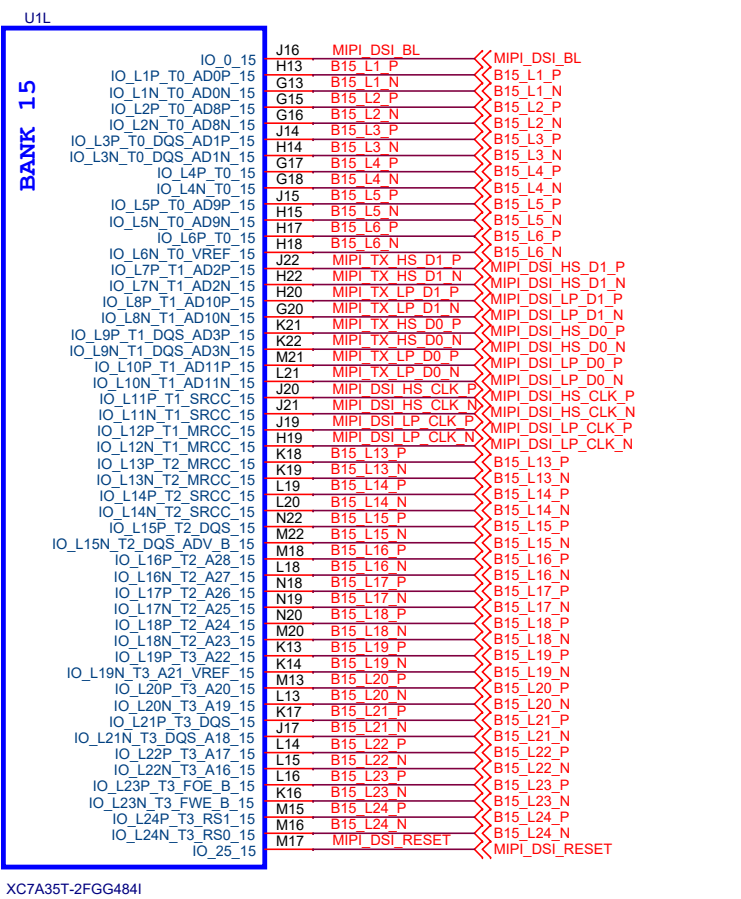
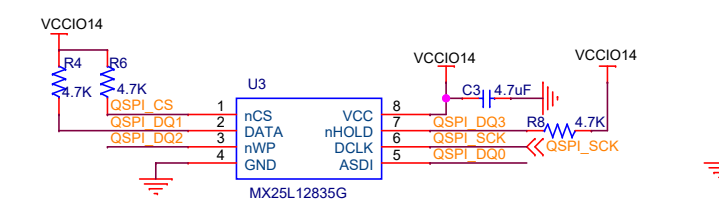
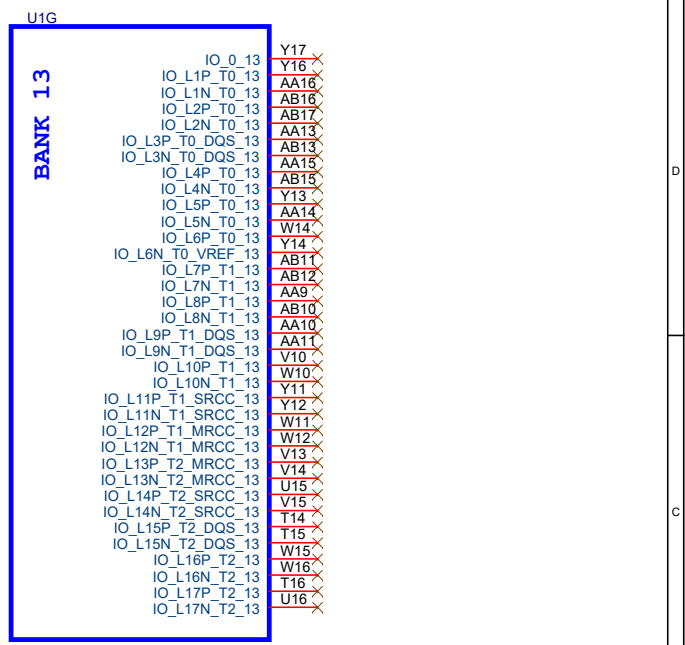
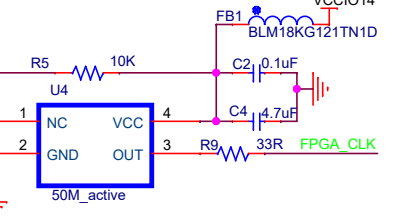


XC7A35T-2FGG4841
XC7A50T-2FGG4841
XC7A100T-2FGG4841
XC7A200T-2FBG4841

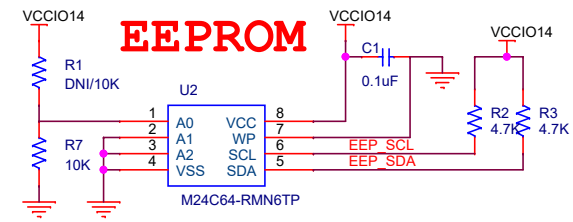


XC7A35T-2FGG4841
XC7A50T-2FGG4841
XC7A100T-2FGG4841
XC7A200T-2FBG4841



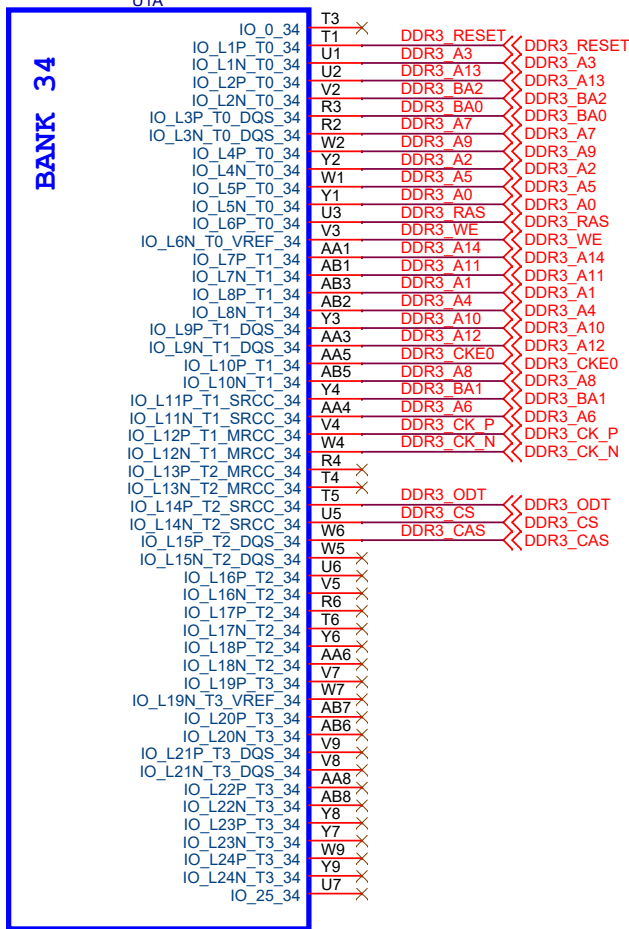
XC7A35T-2FGG4841
XC7A50T-2FGG4841
XC7A100T-2FGG4841
XC7A200T-2FBG4841

**注意: XC7A35T\50T 无 BANK13
XC7A100T\200T有 BANK13
所选用的XC7A35T\50T\100T\200T型号
封装兼容**

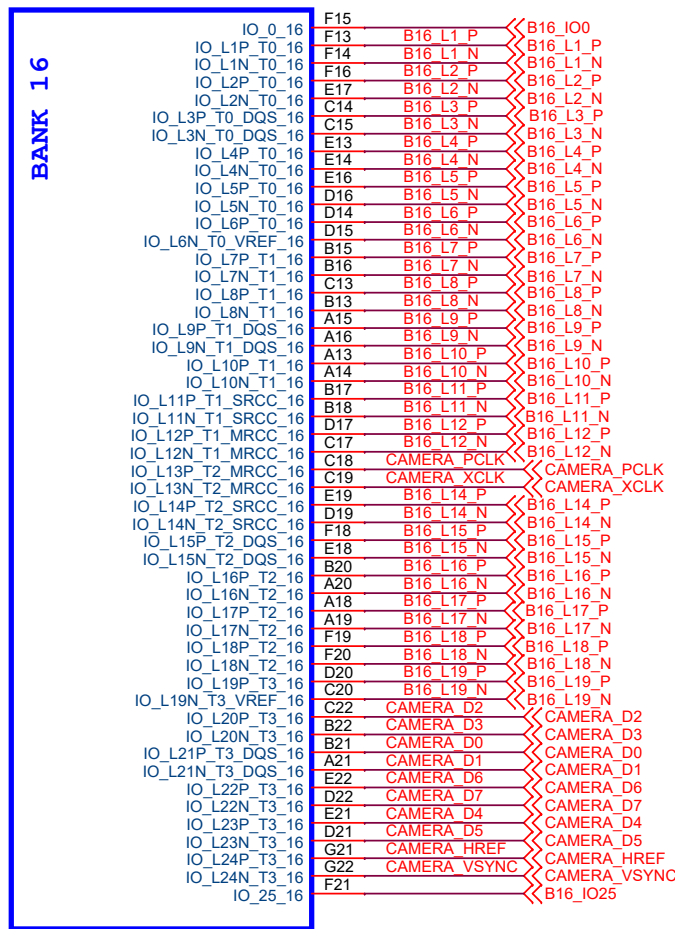


武汉芯路恒科技有限公司			
Title	BX72		
Size	File	Version	
Custom	01_BANK13\14\15	251215	
Date:	Monday, January 26, 2026	Sheet	1 of 13

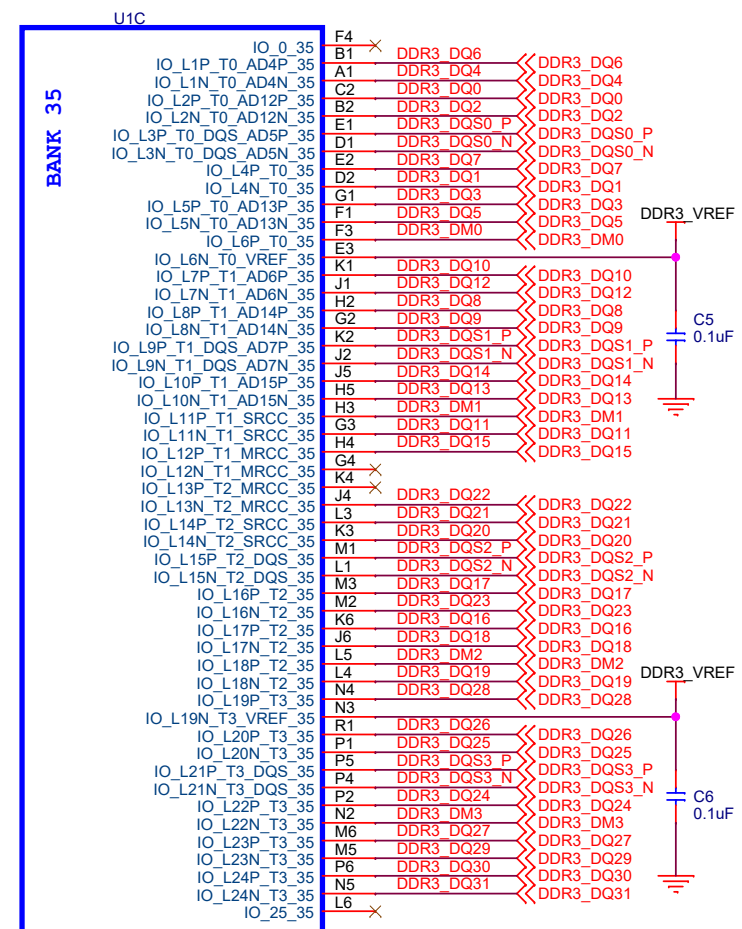




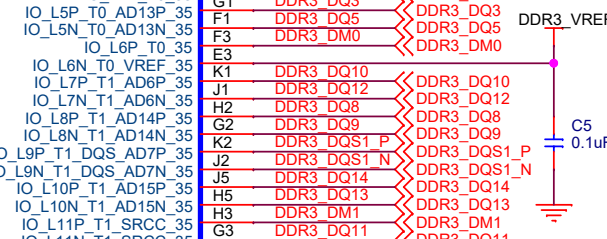
XC7A35T-2FGG484I
XC7A50T-2FGG484I
XC7A100T-2FGG484I
XC7A200T-2FBG484I



XC7A35T-2FGG484I
XC7A50T-2FGG484I
XC7A100T-2FGG484I
XC7A200T-2FBG484I



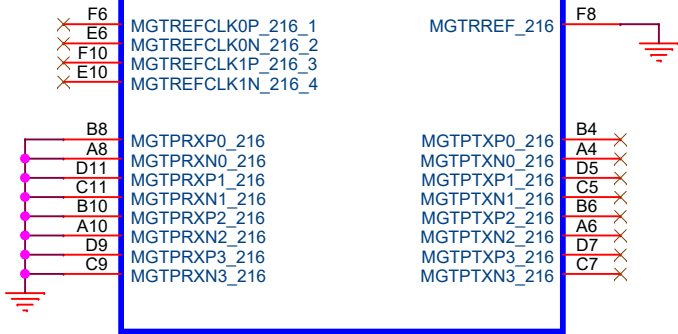
XC7A35T-2FGG484I
XC7A50T-2FGG484I
XC7A100T-2FGG484I
XC7A200T-2FBG484I



武汉芯路恒科技有限公司

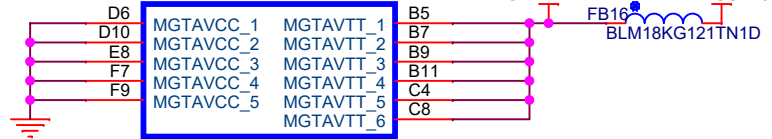
Title		
BX72		
Size	File	Version
Custom02	_BANK16\34\35	251215
Date:	Monday, January 26, 2026	Sheet 2 of 13

U1J

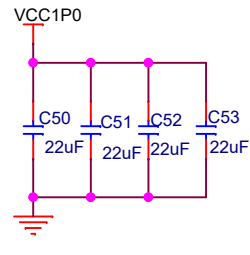
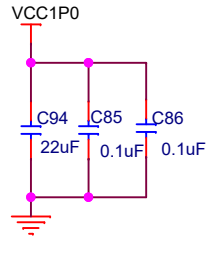
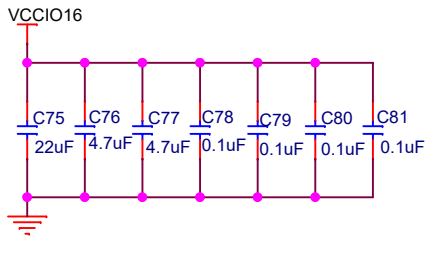
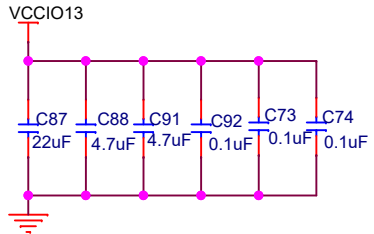
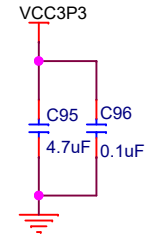
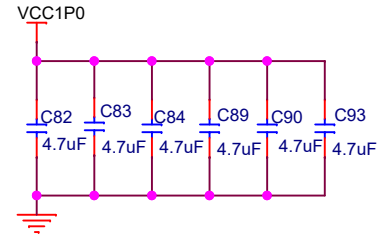
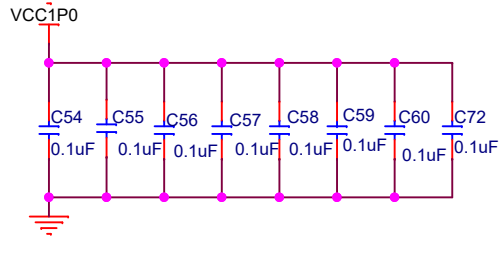
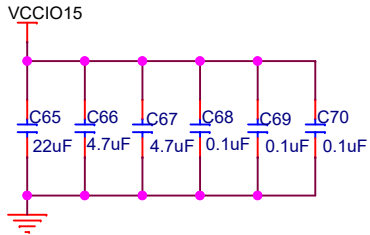
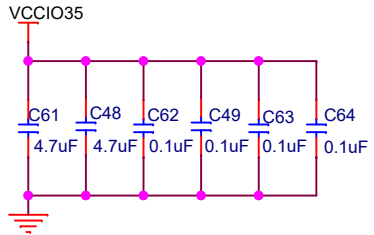
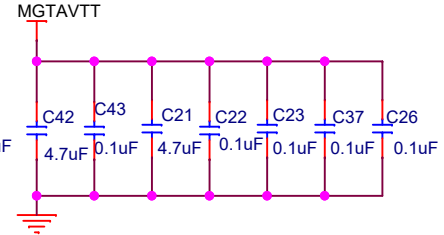
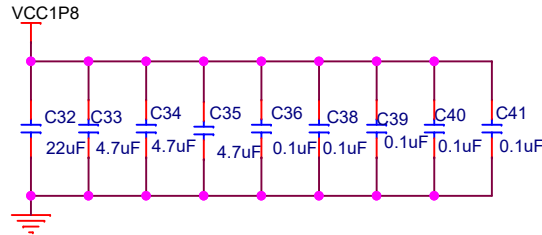
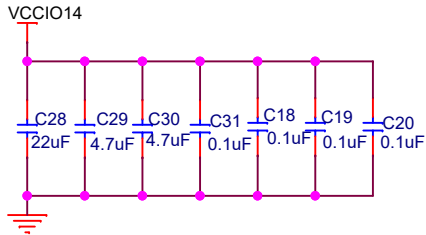
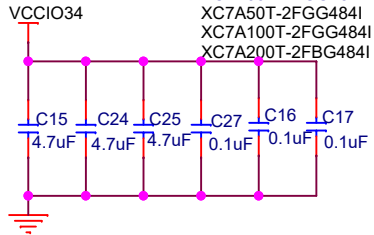


XC7A35T-2FGG484I
 XC7A50T-2FGG484I
 XC7A100T-2FGG484I
 XC7A200T-2FBG484I

U1H



XC7A35T-2FGG484I
 XC7A50T-2FGG484I
 XC7A100T-2FGG484I
 XC7A200T-2FBG484I



武汉芯路恒科技有限公司		
Title: BX72		
Size: Custom03_FPGA Config-01	File: Custom03_FPGA Config-01	Version: 251215
Date: Monday, January 26, 2026	Sheet: 3	of 13



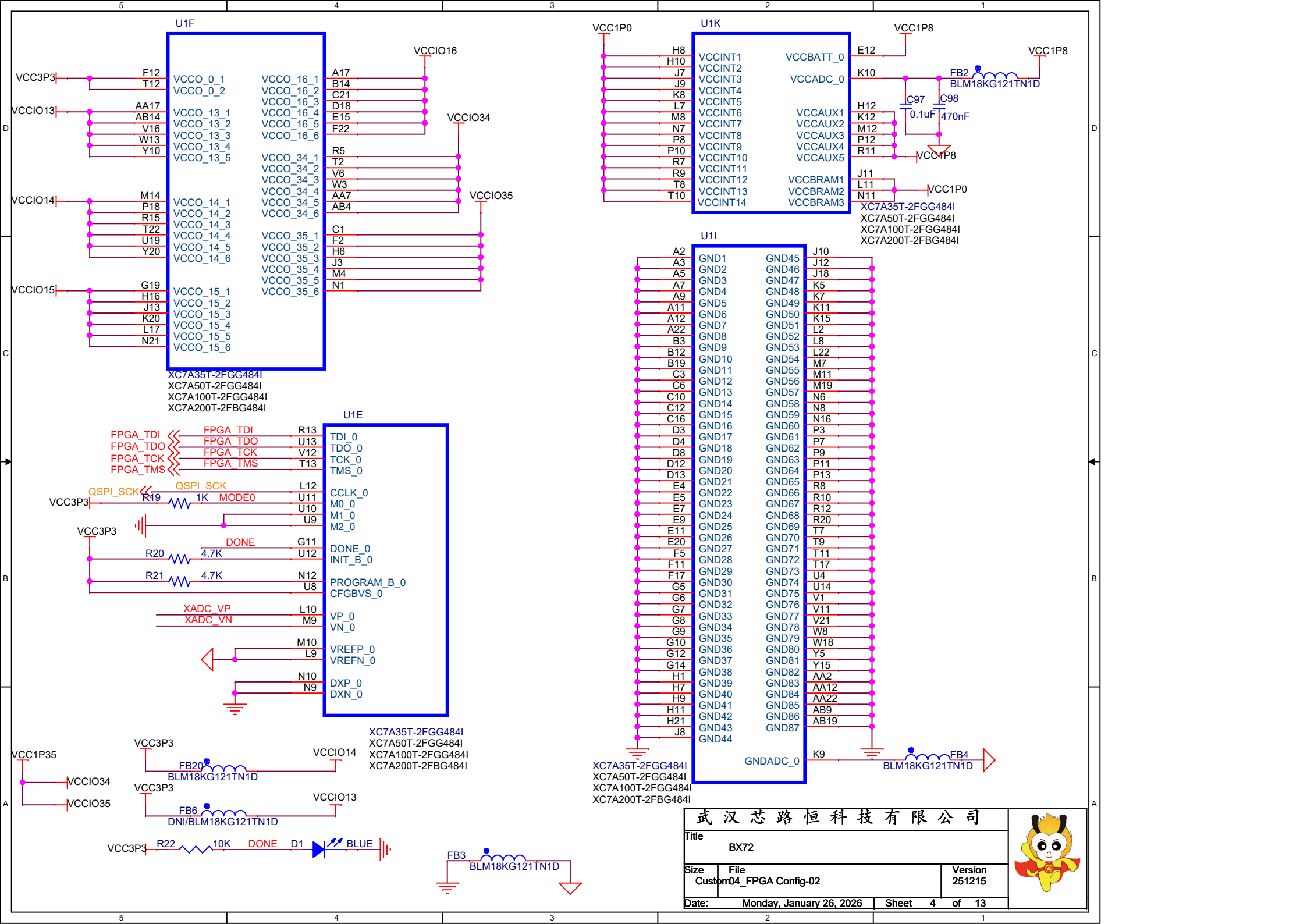
5

4

3

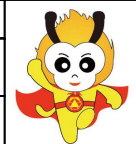
2

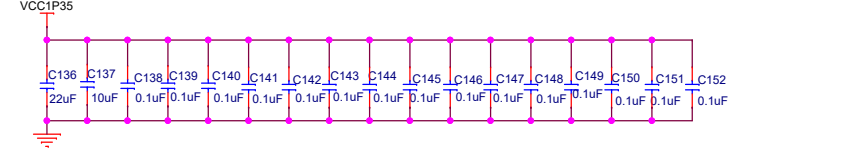
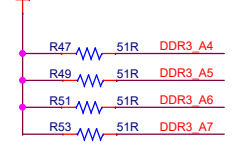
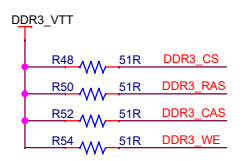
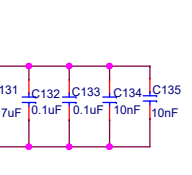
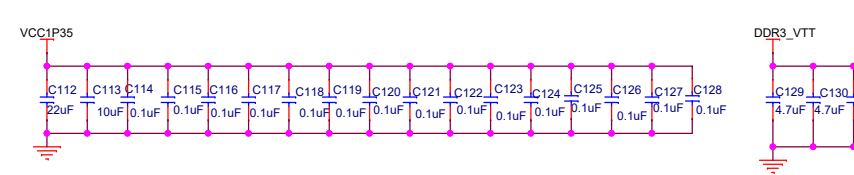
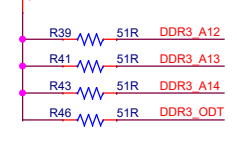
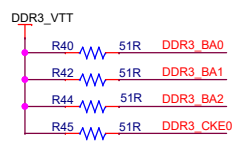
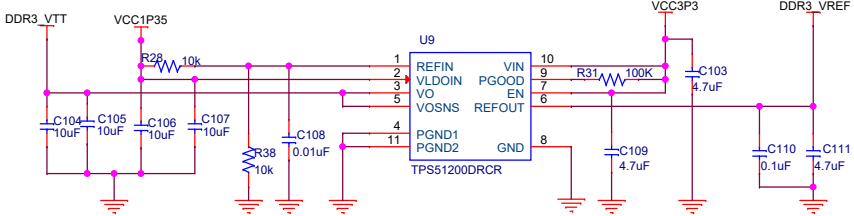
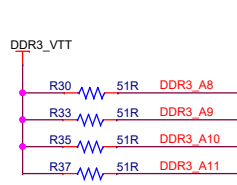
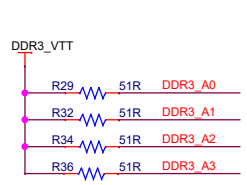
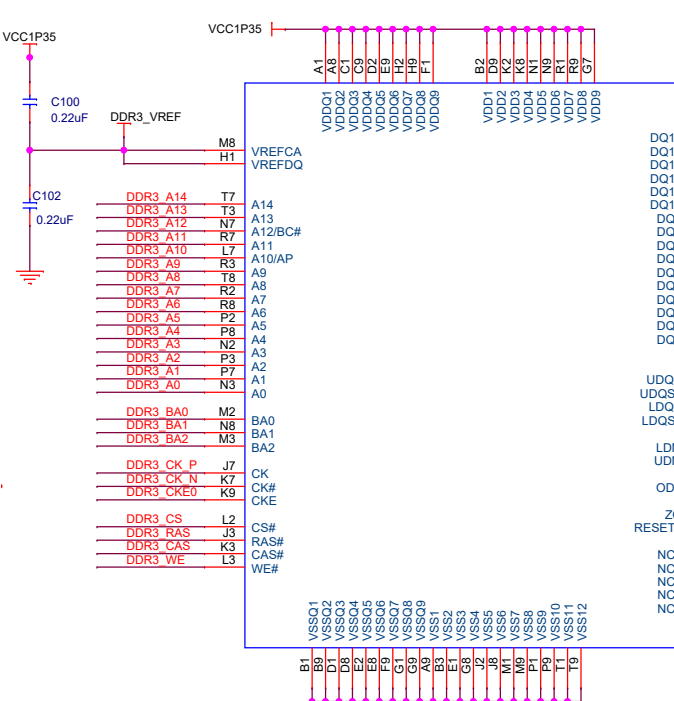
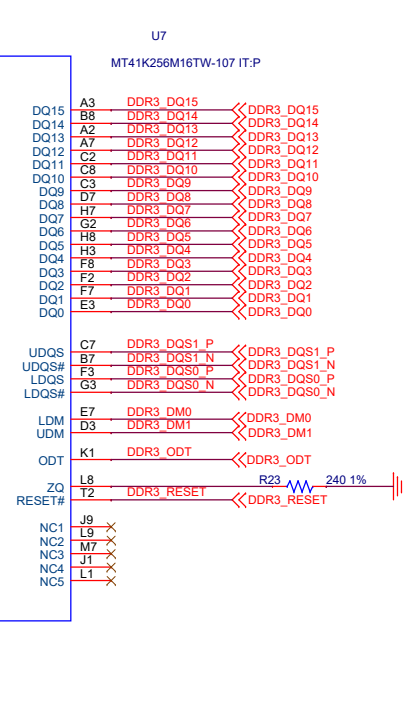
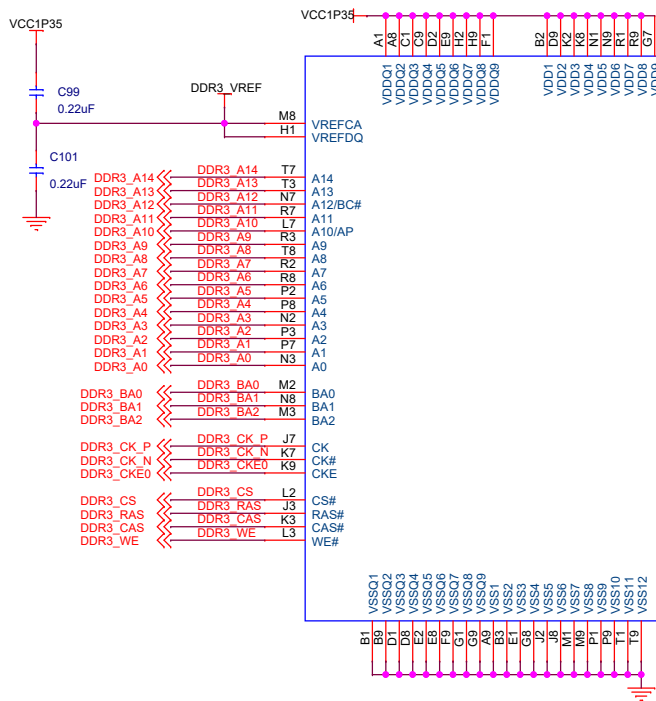
1

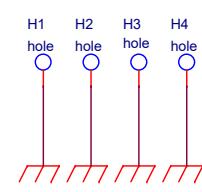
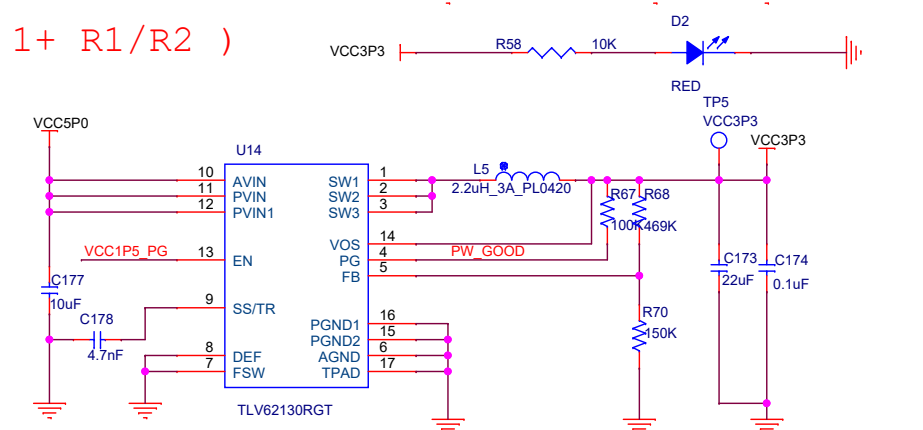
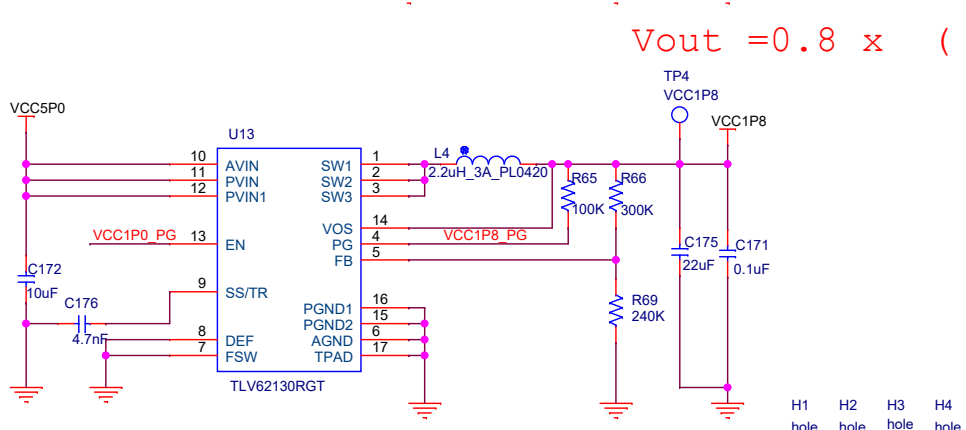
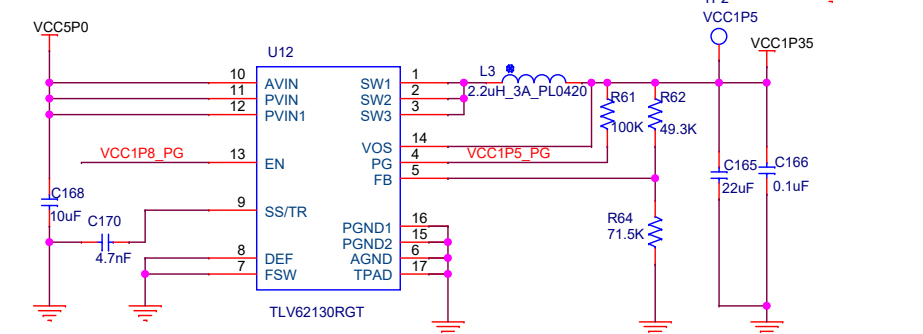
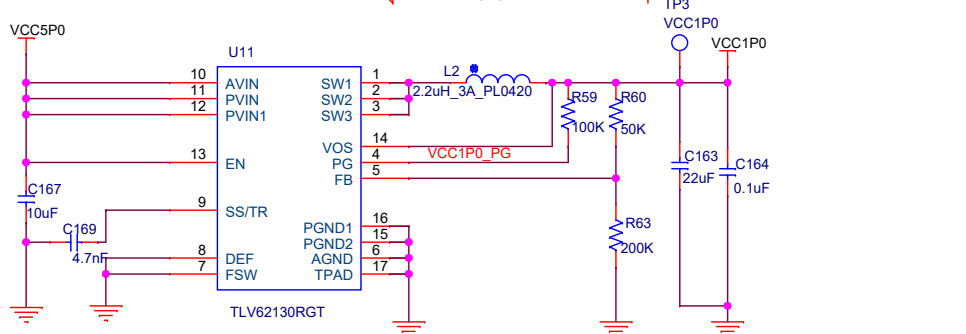
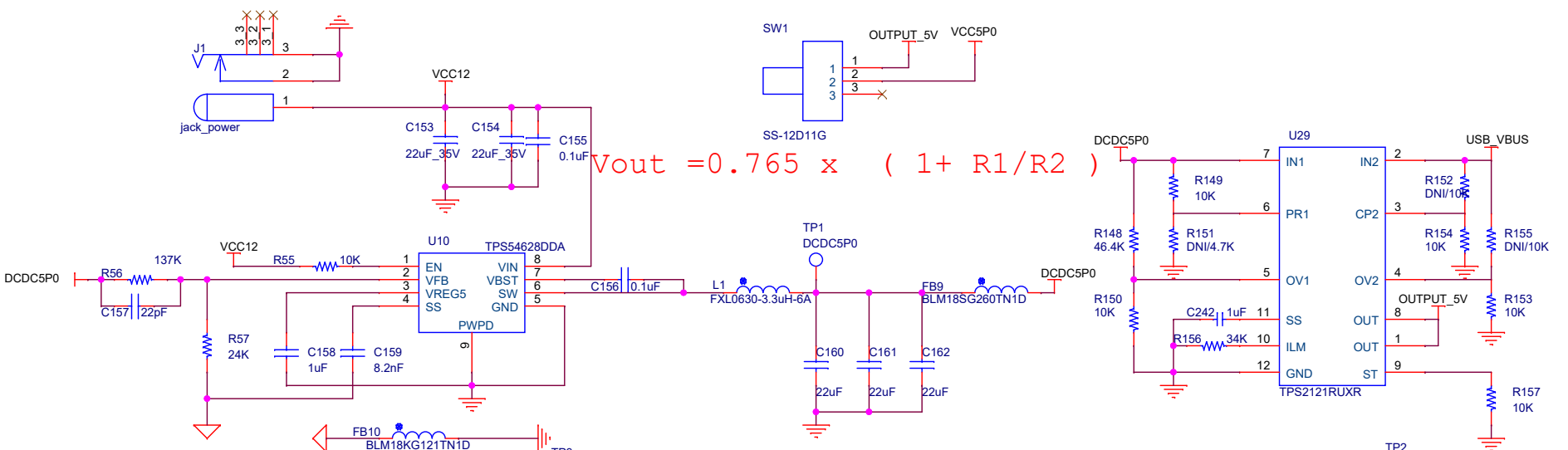


武汉芯路恒科技有限公司

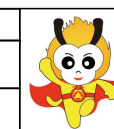
Title		BX72	
Size	File	Version	
Custom04	04_FPGA Config-02	251215	
Date:	Monday, January 26, 2026	Sheet	4 of 13

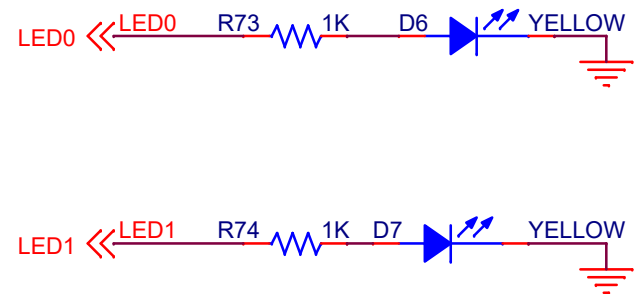
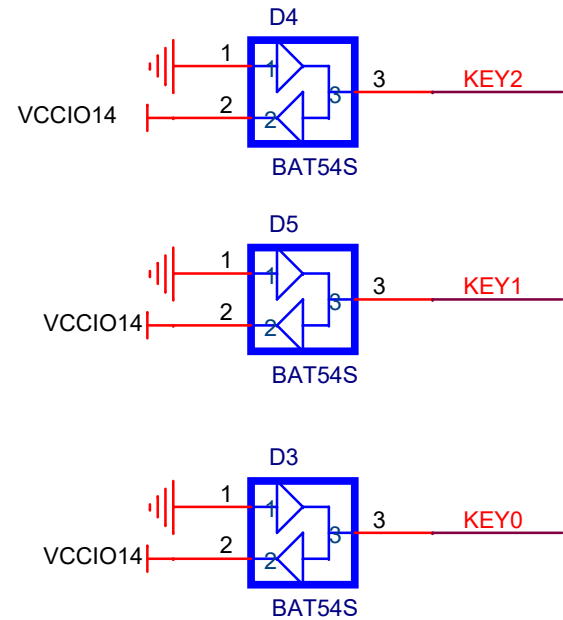
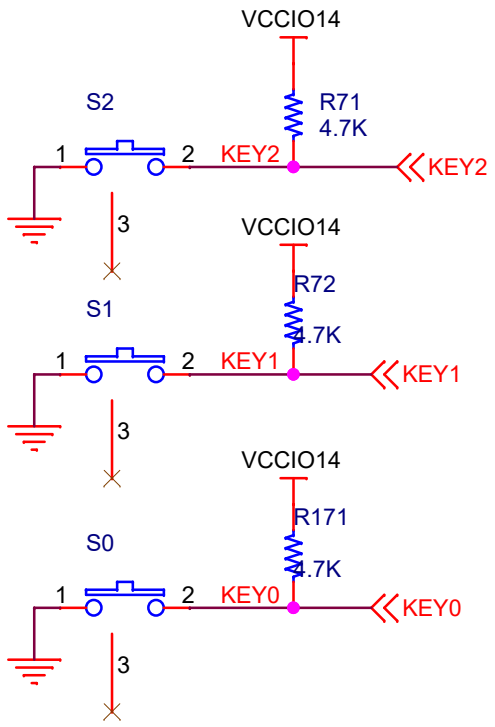
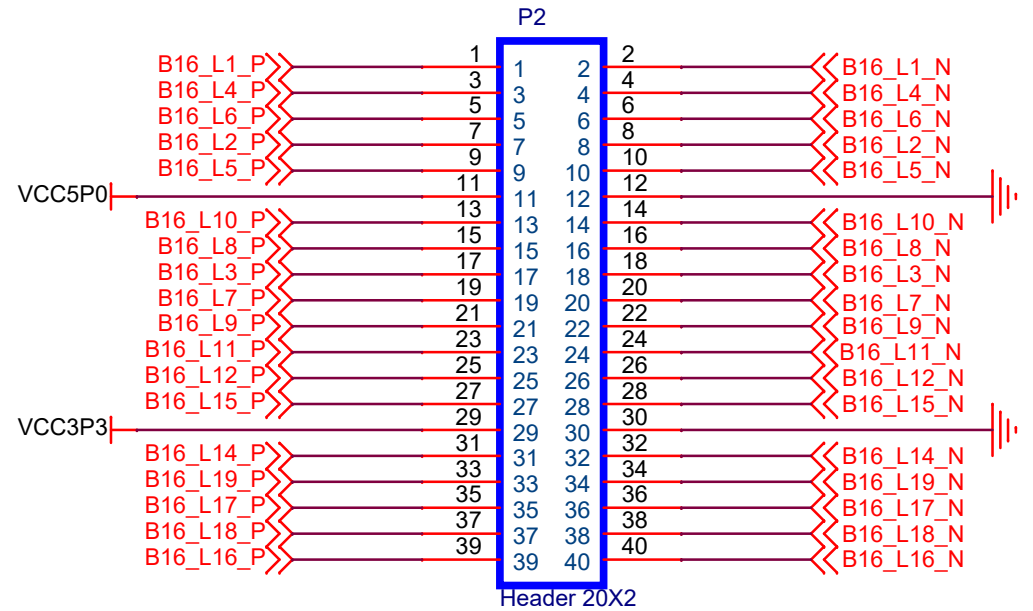
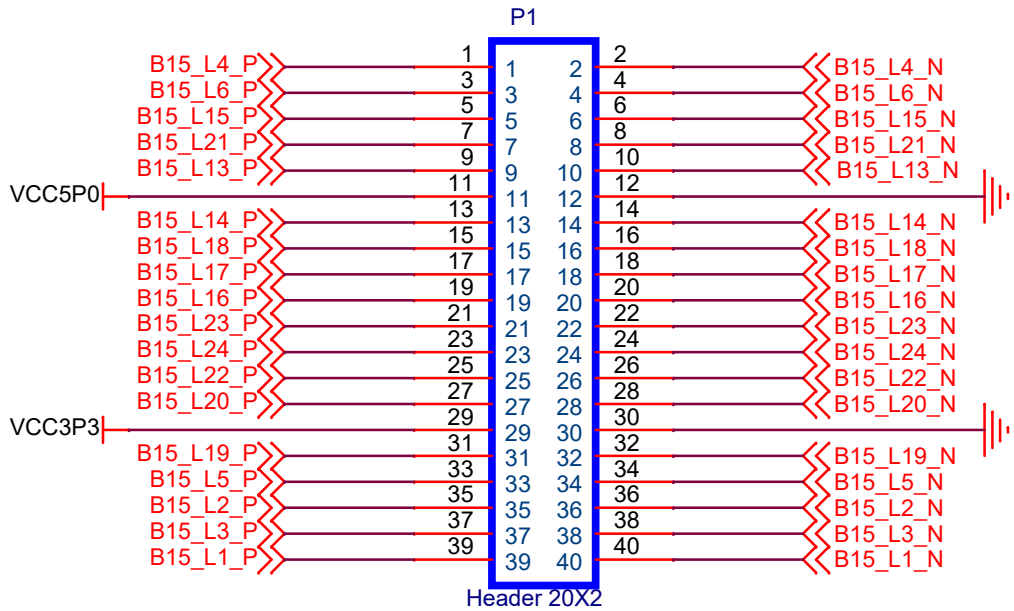





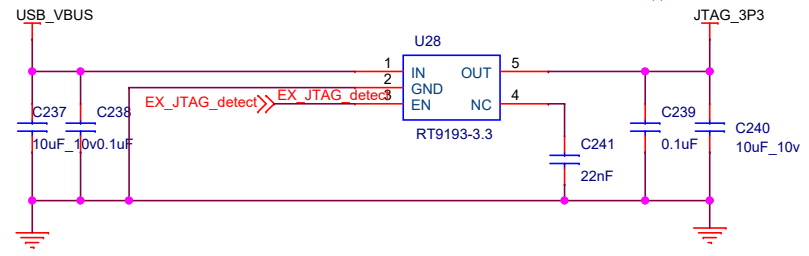
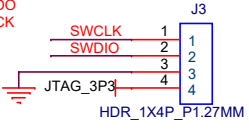
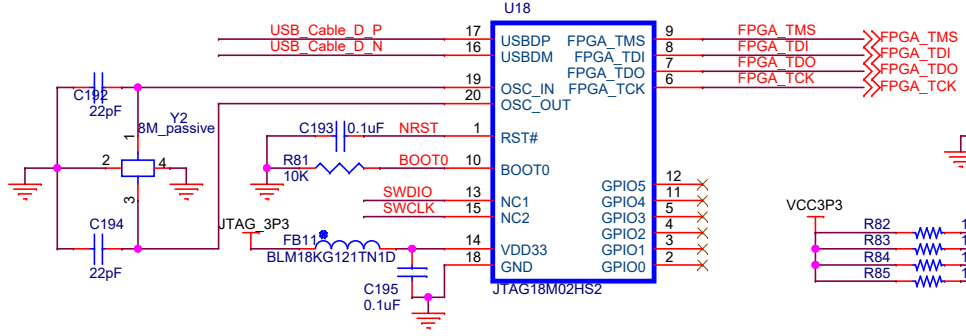
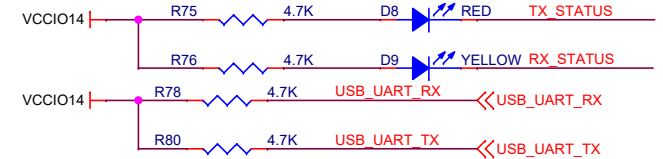
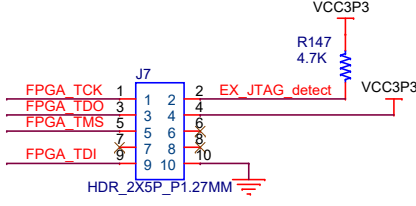
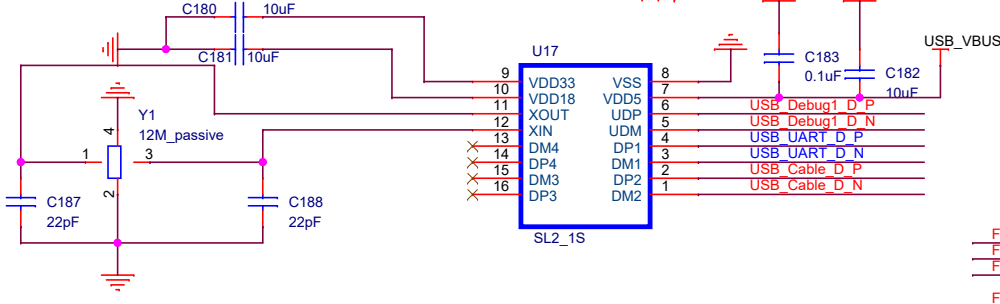
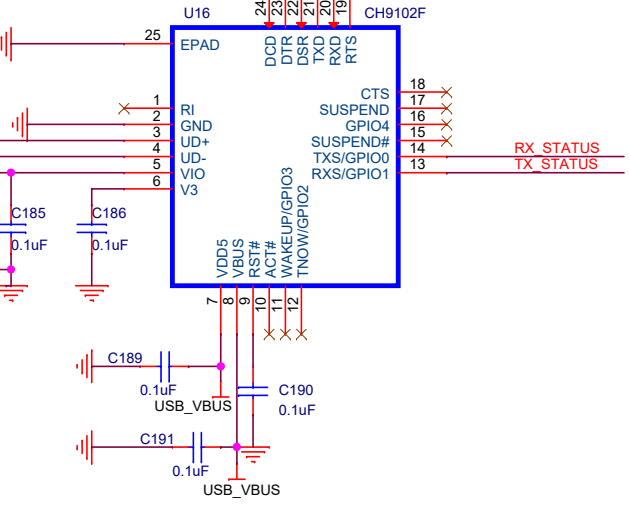
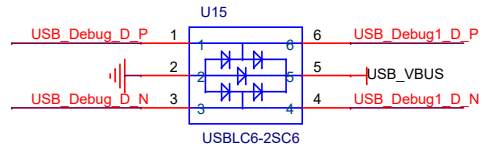
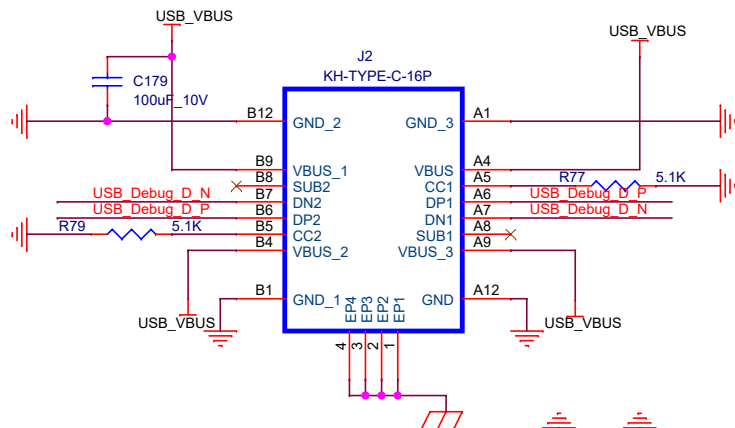


武汉芯路恒科技有限公司		
Title: BX72		
Size: Custom<Doc>	File:	Version: 251215
Date: Monday, January 26, 2026	Sheet: 6	of 13



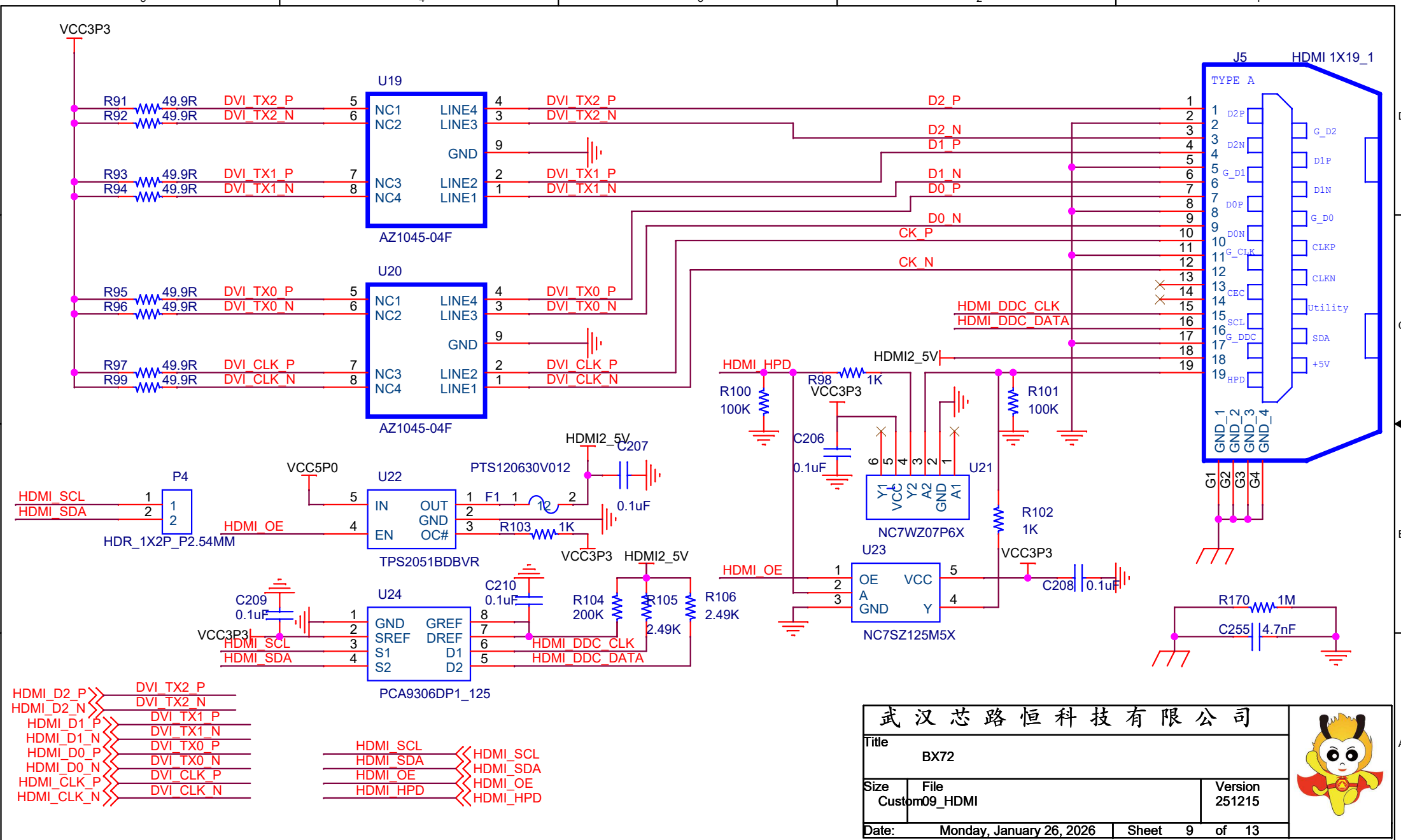


武汉芯路恒科技有限公司			
Title: BX72			
Size: Custom07_CONNECTOR	File: Custom07_CONNECTOR	Version: 251215	
Date: Monday, January 26, 2026	Sheet: 7	of 13	



武汉芯路恒科技有限公司		
Title: BX72		
Size: Custom08	File: Debug_port	Version: 251215
Date: Monday, January 26, 2026		Sheet: 8 of 13



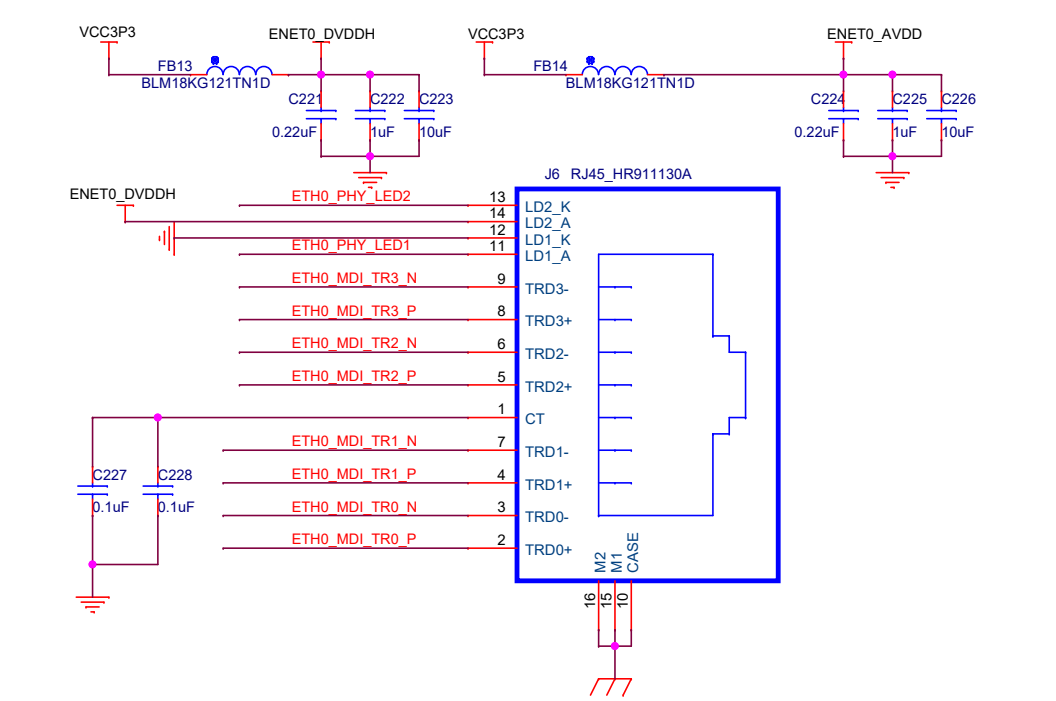
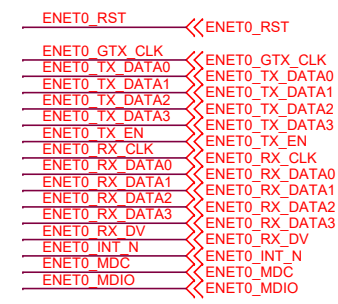
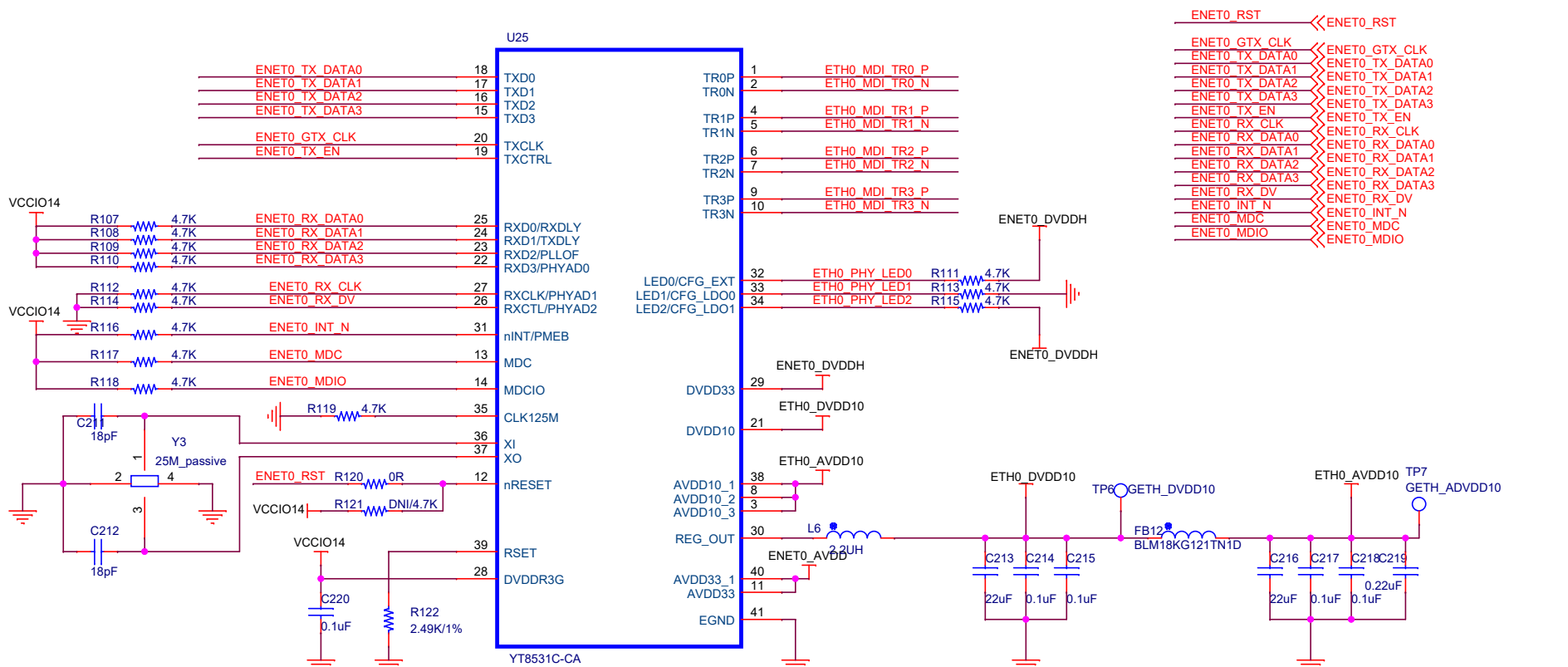


HDMI_D2_P >> DVI_TX2_P
 HDMI_D2_N >> DVI_TX2_N
 HDMI_D1_P >> DVI_TX1_P
 HDMI_D1_N >> DVI_TX1_N
 HDMI_D0_P >> DVI_TX0_P
 HDMI_D0_N >> DVI_TX0_N
 HDMI_CLK_P >> DVI_CLK_P
 HDMI_CLK_N >> DVI_CLK_N

HDMI_SCL >> HDMI_SCL
 HDMI_SDA >> HDMI_SDA
 HDMI_OE >> HDMI_OE
 HDMI_HPDP >> HDMI_HPDP

武汉芯路恒科技有限公司		
Title BX72		
Size Custom09_HDMI	File	Version 251215
Date: Monday, January 26, 2026	Sheet 9	of 13





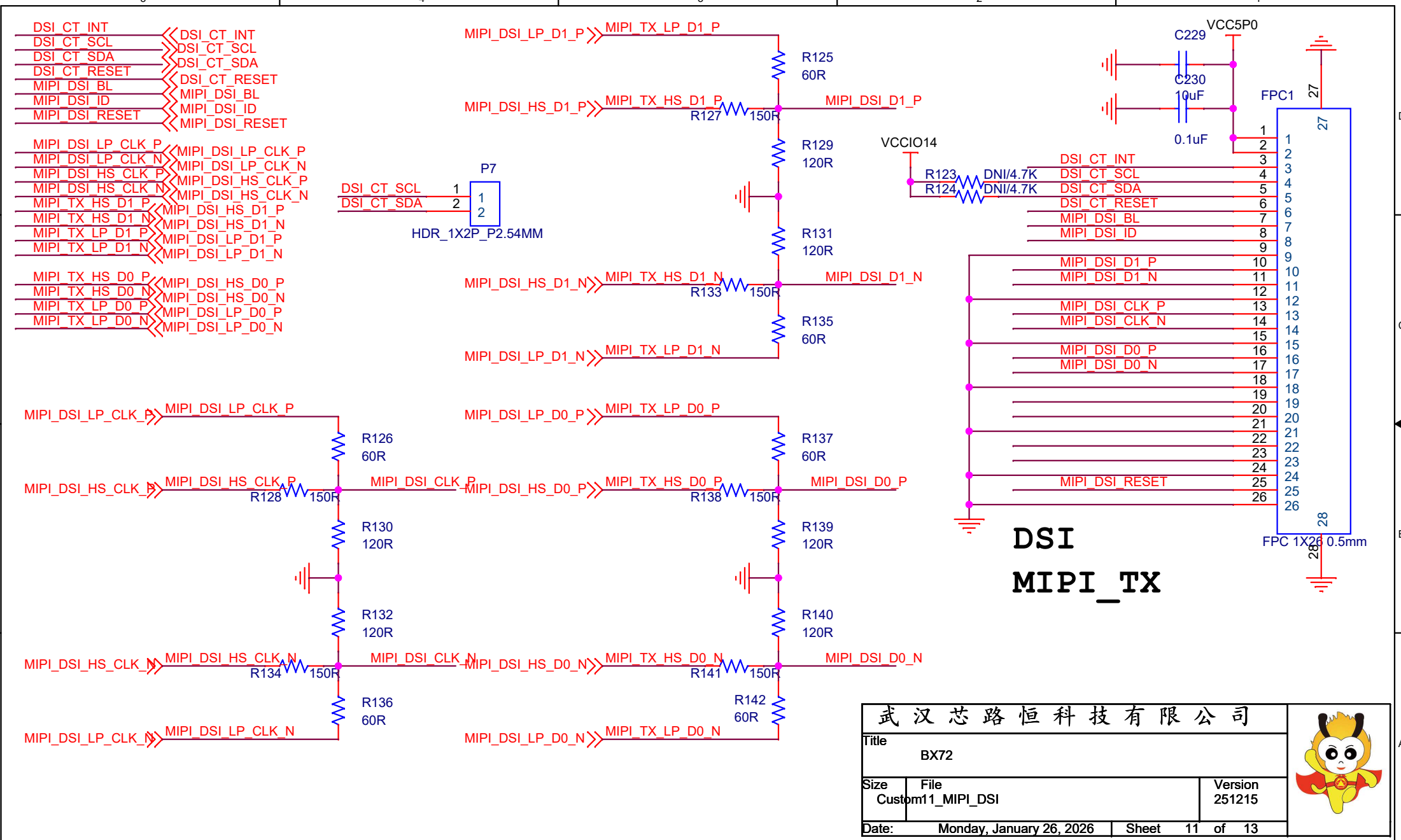
CFG_EXT状态	下拉 4.7K to GND	上拉 4.7K to 3.3V
I/O电压选择	内部选择	外部选择
I/O电压设置	CFG_LDO[1:0] 00: Reserved 01: 2.5V 10: 1.8V 11: 1.5V	CFG_LDO[1:0] 00: 3.3V 01: 2.5V 10: 1.8V 11: 1.5V

武汉芯路恒科技有限公司

Title: BX72

Size: Custom10_ETH File: Version: 251215

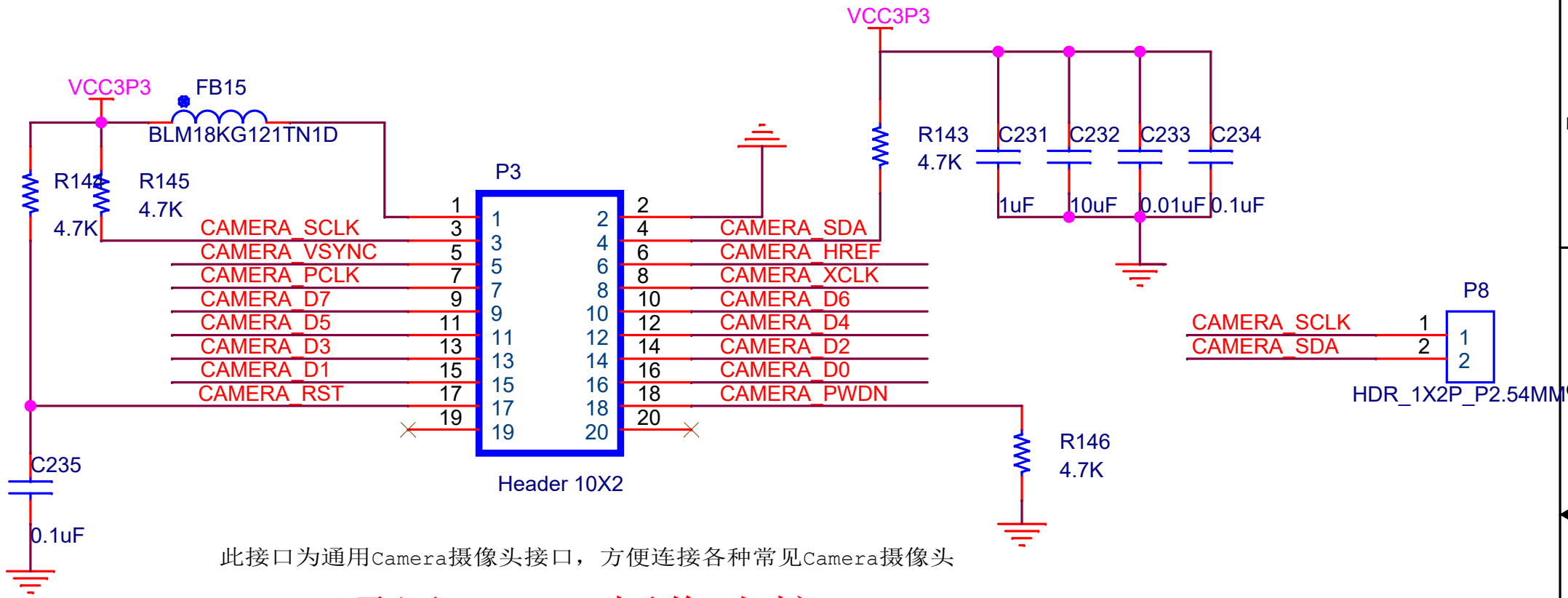
Date: Monday, January 26, 2026 Sheet: 10 of 13



DSI MIPI_TX

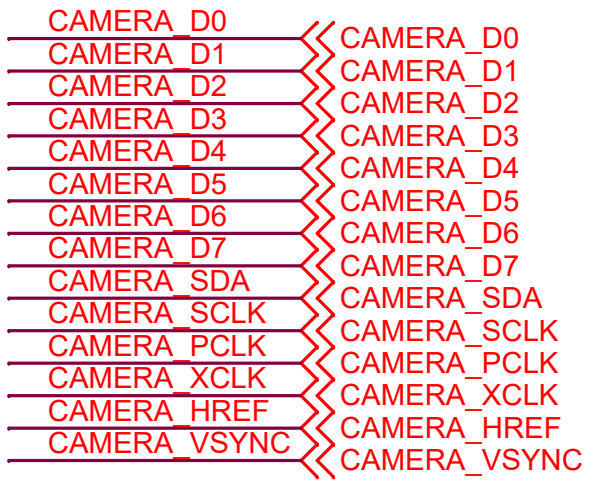
武汉芯路恒科技有限公司		
Title: BX72		
Size: Custom11	File: MIPI_DSI	Version: 251215
Date: Monday, January 26, 2026	Sheet: 11	of 13



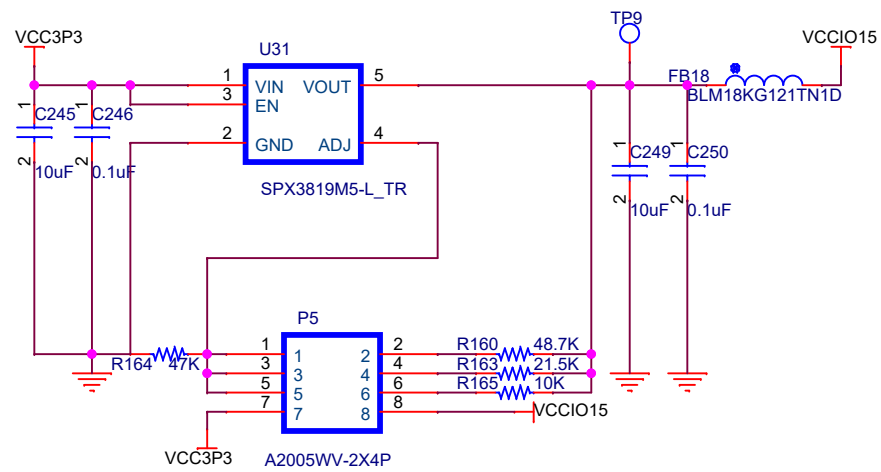


此接口为通用Camera摄像头接口，方便连接各种常见Camera摄像头

通用Camera摄像头接口

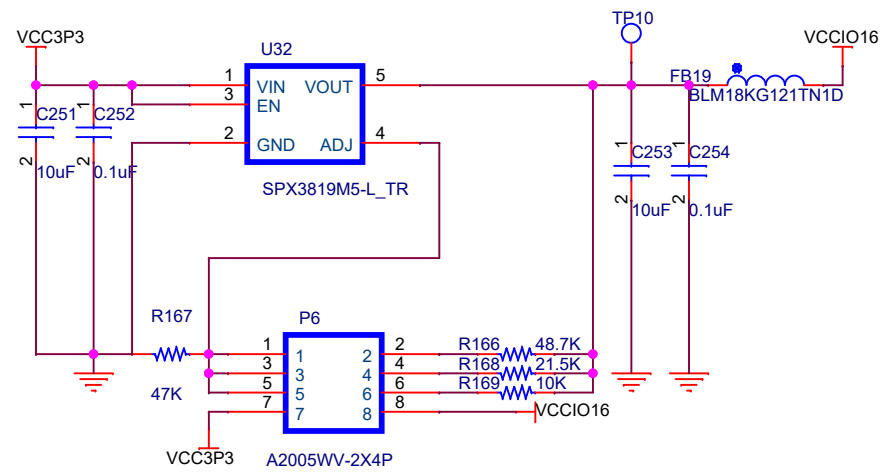


武汉芯路恒科技有限公司			
Title			
BX72			
Size	File	Version	
	Custom12_CAMERA	251215	
Date:	Monday, January 26, 2026	Sheet	12 of 13



$$V_{OUT} = 1.235V \times [1 + R1/R2]$$

2.5	48.7K
1.8	21.5K
1.5	10K



$$V_{OUT} = 1.235V \times [1 + R1/R2]$$

2.5	48.7K
1.8	21.5K
1.5	10K

武汉芯路恒科技有限公司			
Title		BX72	
Size	File	Version	
A4	13_IO_POWER	251215	
Date:	Monday, January 26, 2026	Sheet	13 of 13

