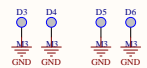


绿色IO/bank电压1.5V
AC6252S-CORE1



红色IO/bank电压默认2.5V
IO/MIP1为硬核

AC6252S-CORE2

Title		
Size	Number	Revision
A2		
Date:	2025-2025	Sheet of
File:	后个寄存器PPGA同步空间...Connect	2/2

UIA

B0_B1_N	B0_B1_N	F16	IO_BE1N_0	BANK0	IO_BE15N_0	B15	B0_B15_N	B0_B15_N
B0_B1_P	B0_B1_P	E16	IO_BE1P_0		IO_BE15P_0	B16	B0_B15_P	B0_B15_P
B0_B2_N	B0_B2_N	E12	IO_BE2N_0		IO_BE16N_0	B8	B0_B16_N	B0_B16_N
B0_B2_P	B0_B2_P	F12	IO_BE2P_0		IO_BE16P_0	A12	B0_B16_P	B0_B16_P
B0_B3_N	B0_B3_N	H11	IO_BE3N_0		IO_BE17N_0	A13	B0_B17_N	B0_B17_N
B0_B3_P	B0_B3_P	F10	IO_BE3P_0		IO_BE17P_0	A7	B0_B17_P	B0_B17_P
B0_B4_N	B0_B4_N	D12	IO_BE4N_0		IO_BE18N_0	A8	B0_B18_N	B0_B18_N
B0_B4_P	B0_B4_P	D11	IO_BE4P_0		IO_BE18P_0	A7	B0_B18_P	B0_B18_P
B0_B5_N	B0_B5_N	E10	IO_BE5N_0		IO_BE19N_0	C7	B0_B19_N	B0_B19_N
B0_B5_P	B0_B5_P	E11	IO_BE5P_0	52	IO_BE19P_0	C6	B0_B19_P	B0_B19_P
B0_B6_N	B0_B6_N	C13	IO_BE6N_0		IO_BE20N_0	A6	B0_B20_N	B0_B20_N
B0_B6_P	B0_B6_P	E13	IO_BE6P_0		IO_BE20P_0	A5	B0_B20_P	B0_B20_P
B0_B7_N	B0_B7_N	C10	IO_BE7N_0		IO_BE21N_0	B6	B0_B21_N	B0_B21_N
B0_B7_P	B0_B7_P	B12	IO_BE7P_0		IO_BE21P_0	C5	B0_B21_P	B0_B21_P
B0_B8_N	B0_B8_N	A11	IO_BE8N_0		IO_BE22N_0	E7	B0_B22_N	B0_B22_N
B0_B8_P	B0_B8_P	C11	IO_BE8P_0		IO_BE22P_0	F7	B0_B22_P	B0_B22_P
B0_B9_N	B0_B9_N	D9	IO_BE9N_GCLKIOB_0_0		IO_BE23N_0	F6	B0_B23_N	B0_B23_N
B0_B9_P	B0_B9_P	F9	IO_BE9P_GCLKIOB_1_0		IO_BE23P_0	E6	B0_B23_P	B0_B23_P
B0_B10_N	B0_B10_N	C9	IO_BE10N_GCLKIOB_4_0		IO_BE24N_0	A4	B0_B24_N	B0_B24_N
B0_B10_P	B0_B10_P	B10	IO_BE10P_GCLKIOB_5_0		IO_BE24P_0	A3	B0_B24_P	B0_B24_P
B0_B11_N	B0_B11_N	A9	IO_BE11N_GCLKIOB_6_0		IO_BE25N_0	D6	B0_B25_N	B0_B25_N
B0_B11_P	B0_B11_P	A10	IO_BE11P_GCLKIOB_7_0		IO_BE25P_0	D5	B0_B25_P	B0_B25_P
B0_B12_N	B0_B12_N	E8	IO_BE12N_GCLKIOB_2_0		IO_BE26N_0	B5	B0_B26_N	B0_B26_N
B0_B12_P	B0_B12_P	D8	IO_BE12P_GCLKIOB_3_0	IO_BE26P_0_HSWAPEN		C4	B0_B26_P	B0_B26_P
B0_B13_N	B0_B13_N	C15	IO_BE13N_0					
B0_B13_P	B0_B13_P	C16	IO_BE13P_0					
B0_B14_N	B0_B14_N	A14	IO_BE14N_0					
B0_B14_P	B0_B14_P	B14	IO_BE14P_0					

EG4S20BG256

UIB

B1_L1_N	B1_L1_N	P15	IO_L1N_1	BANK1	IO_L15N_1	K16	B1_L15_N	B1_L15_N
B1_L1_P	B1_L1_P	P16	IO_L1P_1		IO_L15P_1	J16	B1_L15_P	B1_L15_P
B1_L2_N	B1_L2_N	M11	IO_L2N_1		IO_L16N_1	D16	B1_L16_N	B1_L16_N
B1_L2_P	B1_L2_P	L12	IO_L2P_1		IO_L16P_1	D14	B1_L16_P	B1_L16_P
B1_L3_N	B1_L3_N	P14	IO_L3N_1		IO_L17N_1	E15	B1_L17_N	B1_L17_N
B1_L3_P	B1_L3_P	K11	IO_L3P_1		IO_L17P_1	F15	B1_L17_P	B1_L17_P
B1_L4_N	B1_L4_N	J11	IO_L4N_1		IO_L18N_1	H16	B1_L18_N	B1_L18_N
B1_L4_P	B1_L4_P	L13	IO_L4P_1		IO_L18P_1	G16	B1_L18_P	B1_L18_P
B1_L5_N	B1_L5_N	M13	IO_L5N_1		IO_L5N_1			
B1_L5_P	B1_L5_P	L14	IO_L5P_1	36	IO_L6P_1			
B1_L6_N	B1_L6_N	M14	IO_L6N_1		IO_L6N_1			
B1_L6_P	B1_L6_P	K15	IO_L6P_1		IO_L7P_1			
B1_L7_N	B1_L7_N	M15	IO_L7N_1		IO_L7N_1			
B1_L7_P	B1_L7_P	K12	IO_L7P_1		IO_L8P_GCLKIOL_3_1			
B1_L8_N	B1_L8_N	J12	IO_L8N_GCLKIOL_2_1		IO_L8N_GCLKIOL_2_1			
B1_L8_P	B1_L8_P	K14	IO_L8P_GCLKIOL_4_1		IO_L_GCLKIOL_4_1			
B1_L9_N	B1_L9_N	H14	IO_L9N_1		IO_L1			
B1_L9_P	B1_L9_P	J13	IO_L9P_1		IO_L19N_1			
B1_L10_N	B1_L10_N	N16	IO_L10N_1		IO_L19P_1			
B1_L10_P	B1_L10_P	N14	IO_L10P_1		IO_L10N_1			
B1_L11_N	B1_L11_N	G14	IO_L11N_1		IO_L10P_1			
B1_L11_P	B1_L11_P	H15	IO_L11P_1		IO_L11N_1			
B1_L12_N	B1_L12_N	F14	IO_L12N_1		IO_L11P_1			
B1_L12_P	B1_L12_P	F13	IO_L12P_1		IO_L12N_1			
B1_L13_N	B1_L13_N	G11	IO_L13N_1		IO_L12P_1			
B1_L13_P	B1_L13_P	G12	IO_L13P_1		IO_L13N_1			
B1_L14_N	B1_L14_N	M16	IO_L14N_1		IO_L13P_1			
B1_L14_P	B1_L14_P	L16	IO_L14P_1		IO_L14N_1			

EG4S20BG256

FPGA SYSTEM

UIC

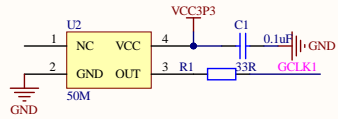
B2_T1_N	B2_T1_N	T4	IO_TE1N_2	BANK2	IO_TE15N_2	T15	B2_T15_N	B2_T15_N
B2_T1_P	B2_T1_P	P6	IO_TE1P_2		IO_TE15P_2	R15	B2_T15_P	B2_T15_P
B2_T2_N	B2_T2_N	T5	IO_TE2N_2		IO_TE16N_2	R14	B2_T16_N	B2_T16_N
B2_T2_P	B2_T2_P	P5	IO_TE2P_2		IO_TE16P_2	P11	B2_T16_P	B2_T16_P
B2_T3_N	B2_T3_N	N5	IO_TE3N_2.D4	IO_TE17N_2_ADC_CH_3		M10	B2_T17_N	B2_T17_N
B2_T3_P	B2_T3_P	N6	IO_TE3P_2.D3	IO_TE17P_2_ADC_CH_1		P12	B2_T17_P	B2_T17_P
B2_T4_N	B2_T4_N	M6	IO_TE4N_2	IO_TE18N_2.D2_ADC_CH_6		N12	B2_T18_N	B2_T18_N
B2_T4_P	B2_T4_P	M7	IO_TE4P_2	IO_TE18P_2.D1_ADC_CH_5		R16	B2_T18_P	B2_T18_P
B2_T5_N	B2_T5_N	T12	IO_TE5N_2	IO_TE19N_2_ADC_CH_7		M12	B2_T19_N	B2_T19_N
B2_T5_P	B2_T5_P	T12	IO_TE5P_2	IO_TE19P_2_ADC_CH_4		L12	B2_T19_P	B2_T19_P
B2_T6_N	B2_T6_N	F8	IO_TE6N_2	IO_T_2_ADC_CH_2		M10	B2_L10	B2_L10
B2_T6_P	B2_T6_P	R5	IO_TE6P_2.D7					
B2_T7_N	B2_T7_N	N8	IO_TE7N_2					
B2_T7_P	B2_T7_P	T9	IO_TE7P_2					
B2_T8_N	B2_T8_N	P9	IO_TE8N_2	32				
B2_T8_P	B2_T8_P	R9	IO_TE8P_2					
B2_T9_N	B2_T9_N	L7	IO_TE9N_2.D6					
B2_T9_P	B2_T9_P	L8	IO_TE9P_2.D5					
B2_T10_N	B2_T10_N	M9	IO_TE10N_GCLKIOT_6_2					
B2_T10_P	B2_T10_P	F7	IO_TE10P_GCLKIOT_7_2					
B2_T11_N	B2_T11_N	T7	IO_TE11N_GCLKIOT_4_2					
B2_T11_P	B2_T11_P	R7	IO_TE11P_GCLKIOT_5_2					
B2_T12_N	B2_T12_N	T8	IO_TE12N_GCLKIOT_0_2					
B2_T12_P	B2_T12_P	N9	IO_TE12P_GCLKIOT_1_2					
B2_T13_N	B2_T13_N	T13	IO_TE13N_GCLKIOT_2_2					
B2_T13_P	B2_T13_P	T14	IO_TE13P_GCLKIOT_3_2					

EG4S20BG256

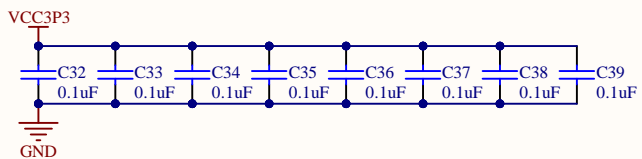
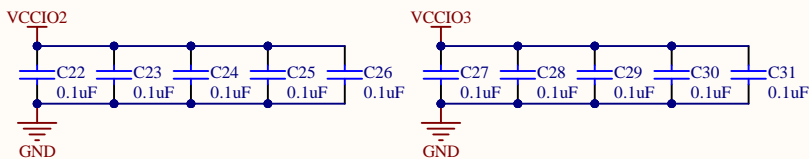
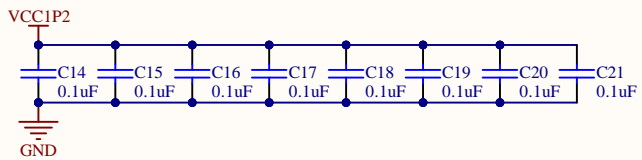
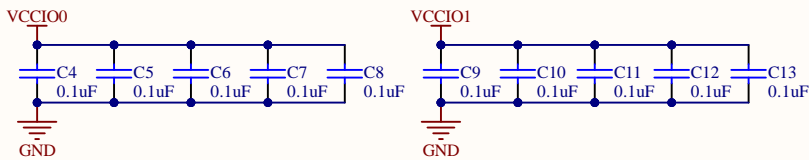
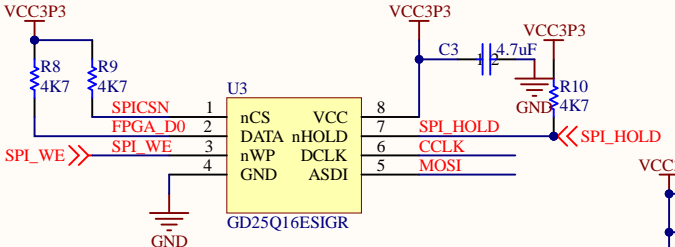
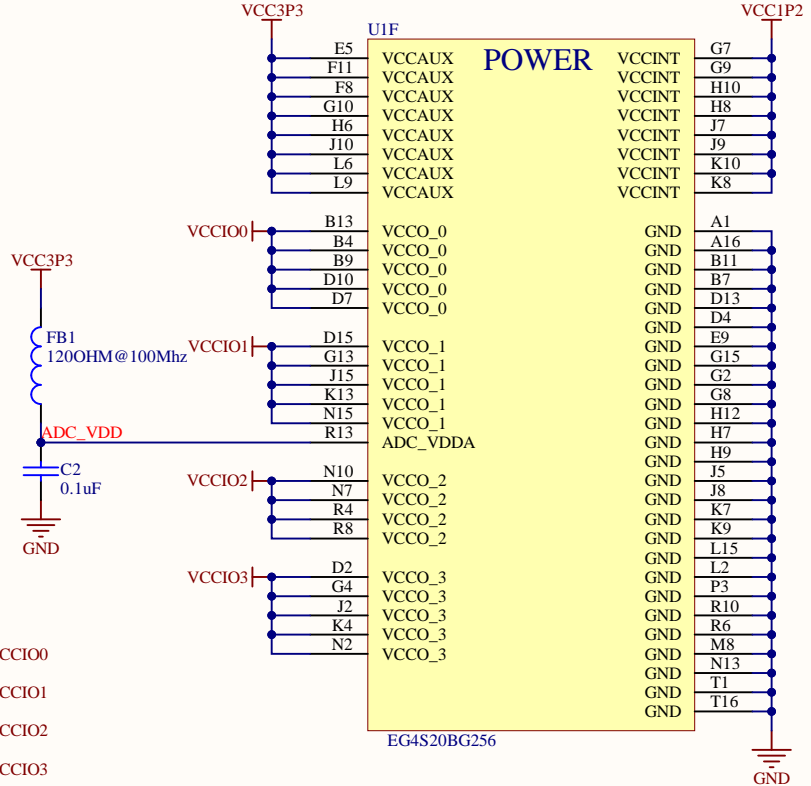
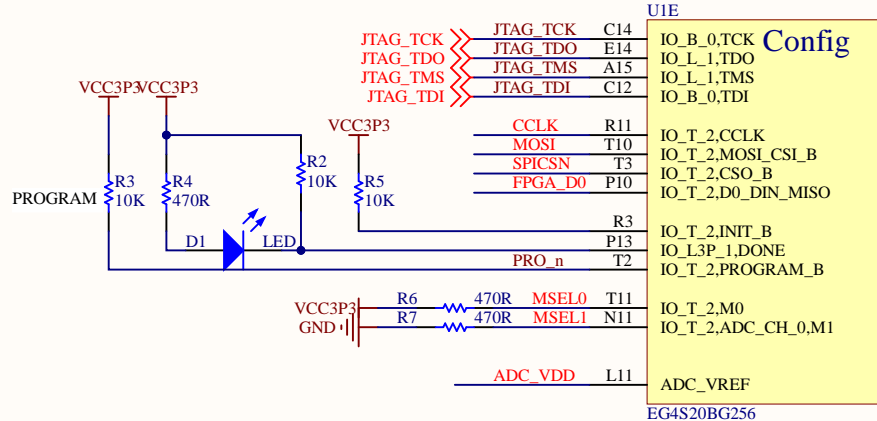
UID

B3_R1_N	B3_R1_N	D3	IO_R1N_3	BANK3	IO_R16N_3	K2	B3_R16_N	B3_R16_N
B3_R1_P	B3_R1_P	B3	IO_R1P_3		IO_R16P_3	J6	B3_R16_P	B3_R16_P
B3_R2_N	B3_R2_N	E3	IO_R2N_3		IO_R17N_3	K5	B3_R17_N	B3_R17_N
B3_R2_P	B3_R2_P	E4	IO_R2P_3		IO_R17P_3	P1	B3_R17_P	B3_R17_P
B3_R3_N	B3_R3_N	F5	IO_R3N_3		IO_R18P_3	R1	B3_R18_P	B3_R18_P
B3_R3_P	B3_R3_P	A2	IO_R3P_3		IO_R18N_3	P2	B3_R18_N	B3_R18_N
B3_R4_N	B3_R4_N	B2	IO_R4N_3		IO_R19N_3	R2	B3_R19_P	B3_R19_P
B3_R4_P	B3_R4_P	C2	IO_R4P_3		IO_R19P_3	M2	B3_R20_N	B3_R20_N
B3_R5_N	B3_R5_N	C3	IO_R5N_3		IO_R20N_3	L3	B3_R20_P	B3_R20_P
B3_R5_P	B3_R5_P	E2	IO_R5P_3		IO_R20P_3	M3	B3_R21_N	B3_R21_N
B3_R6_N	B3_R6_N	C1	IO_R6N_3		IO_R21N_3	K6	B3_R21_P	B3_R21_P
B3_R6_P	B3_R6_P	D1	IO_R6P_3		IO_R21P_3	N3	B3_R22_N	B3_R22_N
B3_R7_N	B3_R7_N	E1	IO_R7N_3	51	IO_R22N_3	M4	B3_R22_P	B3_R22_P
B3_R7_P	B3_R7_P	F2	IO_R7P_3		IO_R22P_3	N4	B3_R23_N	B3_R23_N
B3_R8_N	B3_R8_N	F1	IO_R8N_3		IO_R23N_3	P4	B3_R23_P	B3_R23_P
B3_R8_P	B3_R8_P	G6	IO_R8P_3		IO_R23P_3	M1	B3_R24_N	B3_R24_N
B3_R9_N	B3_R9_N	G5	IO_R9N_3		IO_R24N_3	N1	B3_R24_P	B3_R24_P
B3_R9_P	B3_R9_P	G3	IO_R9P_3		IO_R24P_3	L4	B3_L4	B3_L4
B3_R10_N	B3_R10_N	G1	IO_R10N_3		IO_R_3	L5	B3_L5	B3_L5
B3_R10_P	B3_R10_P	H5	IO_R10P_3		IO_R_3	M5	B3_M5	B3_M5
B3_R11_N	B3_R11_N	H1	IO_R11N_3		IO_R_3			
B3_R11_P	B3_R11_P	J1	IO_R11P_3		IO_R11P_3			
B3_R12_N	B3_R12_N	K1	IO_R12N_3		IO_R12N_3			
B3_R12_P	B3_R12_P	L1	IO_R12P_3		IO_R12P_3			
B3_R13_N	B3_R13_N	H2	IO_R13N_GCLKIOR_6_3		IO_R13N_GCLKIOR_6_3			
B3_R13_P	B3_R13_P	H3	IO_R13P_GCLKIOR_7_3		IO_R13P_GCLKIOR_7_3			
B3_R14_N	B3_R14_N	H4	IO_R14N_GCLKIOR_0_3		IO_R14N_GCLKIOR_0_3			
B3_R14_P	B3_R14_P	J4	IO_R14P_GCLKIOR_1_3		IO_R14P_GCLKIOR_1_3			
B3_R15_N	B3_R15_N	J3	IO_R15N_GCLKIOR_4_3		IO_R15N_GCLKIOR_4_3			
B3_R15_P	B3_R15_P	B1	IO_R15P_GCLKIOR_5_3		IO_R15P_GCLKIOR_5_3			
B3_B1	B3_B1	F3	IO_R_3		IO_R_3			
B3_F3	B3_F3	F3	IO_R_3		IO_R_3			

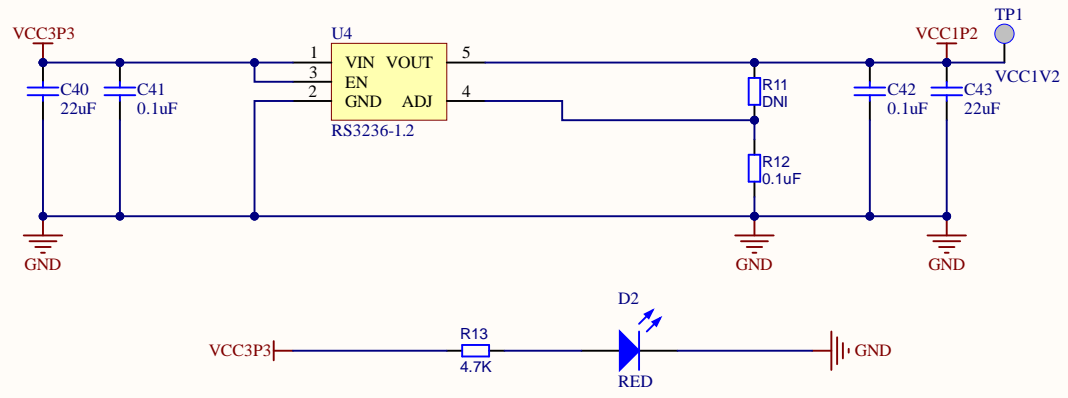
EG4S20BG256



Title		
Size	Number	Revision
A3		
Date:	2-25-2026	Sheet of
File:	E:\小梅哥\FPGA同步空间\EG4S20BG256\subDoc	



Title		
Size	Number	Revision
A4		
Date:	2-25-2026	Sheet of
File:	E:\小梅哥\FPGA同步空间\..FPGA_Config\Sch Byc	



Title		
Size A4	Number	Revision
Date: 2-25-2026	Sheet of	
File: E:\小梅哥\FPGA同步空间\...\Power.Sch	Drawn By:	